

## ENGINE

Model	Isuzu AM-4JJ1X Cooled EGR
Emissions Certification	Tier 4 Interim
Fuel	Requires ultra low-sulfur fuel B5 biodiesel tolerant
Type	Water-cooled, 4-cycle, high pressure common rail system. Turbo-charged with air cooled intercooler, DPD system
Cylinders	4-cylinder in-line
Displacement	183 in <sup>3</sup> (3.0 L)
Bore/Stroke	4 x 4 in (95.4 x 104.9 mm)
Fuel injection	Direct injection – electronic
Fuel filter	Replaceable, full flow spin-on cartridge
Air filter	Dry type element w/ warning restriction indicator
Oil filter	Replaceable, full flow spin-on cartridge
Engine gradeability:	
Side-to-side	35°
Fore and aft	35°
Net horsepower – SAE J1349 @ 2000 RPM:	100 hp (74.9 kW)
Net max. torque – SAE J1349 @ 1600 RPM:	265 lb-ft (359 N-m)
Cooling operating range:	109° to -13° F (43° to -25° C)
Oil	Requires low-ash oil CJ-4

## DRIVETRAIN

Travel control	Dual stage relief/ counter balance design
Brakes	Mechanical disc
Service brakes	SAHR disc – each motor
Two speed travel:	
Max. high speed	3.5 mph (5.6 kph)
Max. low speed	2.1 mph (3.4 kph)
Automatic downshift	
Drawbar pull	26,078 lbf (116 kN)
Gradeability	70% – 35° slope

## ELECTRICAL

Voltage	24 Volts
Alternator rating	50 amp
Batteries	2 x 12 Volt
Battery reserve capacity	72 Ah/5 hour
Work lights	24 Volt
1 boom	70 watt
1 upper	70 watt
2 cab	70 watt

## OPERATOR ENVIRONMENT

Air conditioner output	13,492 BTU/hr
Heater output	12,897 BTU/hr
Sound level inside cab – ISO6395	70 dBA
Electrical outlet	12 Volt
Cab interior light	10 watt
Rear view camera	Standard
Seat	Air-suspension

## ATTACHMENT

Boom	15 ft 2 in (4 630 mm)
Arm	8 ft 2 in (2 500 mm)
Bucket digging force	20,233 lbf (90 kN)
w/ Auto Power-Boost	21,357 lbf (95 kN)

## OPERATING WEIGHT

Operating weight	33,290 lb (15 100 kg)
w/ shoes	2 ft 0 in (600 mm)
w/ boom	15 ft 2 in (4 630 mm)
w/ arm	8 ft 2 in (2 500 mm)
w/ bucket	882 lb (400 kg)
w/ counterweight	8,157 lb (3 700 kg)

NOTE: w/ operator/full fuel/standard equipment

## DOZER BLADE

Blade width	8 ft 6 in (2 590 mm)
Blade height	1 ft 10 in (570 mm)
Max. lift above ground	1 ft 8 in (510 mm)
Max. drop below ground	1 ft 8 in (520 mm)

## GROUND PRESSURE

@ Standard operating weight 5.9 psi (0.41 bar)  
 w/ 23.6 in (600 mm) triple semi-grouser shoes

## HYDRAULICS

System design	Open center
Main pumps	Two variable displacement/ axial pistons
Max. rated flow	34.1 gpm (129 L/min)
Blade pump	1x gear design
Max. rated flow	16.4 gpm (129 L/min)
System pressures:	
Boom, arm and bucket	4,975 psi (343 bar)
w/ Power Boost	5,366 psi (370 bar)
Travel circuits	4,975 psi (343 bar)
Swing circuits	4,148 psi (286 bar)
Pilot pump	1 x gear design
Max. capacity	5.3 gpm (20 L/min)

## HYDRAULICS (cont.)

Controls	w/ boom/arm holding valve
Right track travel, bucket, boom and arm acceleration.	Four-spool section
Left track travel, bucket, boom and arm acceleration.	Five-spool section
Work mode selections	SP: Speed priority H: Heavy duty A: Automatic
Swing motor	Fixed displacement axial piston
Swing final drive	Planetary gear reduction
Travel motor	Two-speed independent travel/axial piston

## HYDRAULIC CYLINDERS

Boom cylinders	Two (2)
Cylinder bore	4.1 in (105 mm)
Cylinder rod diameter	3.0 in (75 mm)
Cylinder stroke	44.1 in (1 120 mm)
Arm cylinder	One (1)
Cylinder bore	4.5 in (115 mm)
Cylinder rod diameter	3.1 in (80 mm)
Cylinder stroke	43.6 in (1 108 mm)
Bucket cylinder	One (1)
Cylinder bore	3.7 in (95 mm)
Cylinder rod diameter	2.6 in (65 mm)
Cylinder stroke	34.7 in (881 mm)

## SERVICE CAPACITIES

Fuel tank	53 gal (200 L)
Hydraulic system	42 gal (158 L)
Hydraulic tank	20 gal (75 L)
Engine oil w/ filter	4 gal (17 L)
Swing drive	3.2 qt (3 L)
Final drive	2.2 qt (2.1 L)
Cooling system	4 gal (15.3 L)

## OTHER SPECIFICATIONS

Swing speed	0 – 14.3 RPM
Swing torque	27,290 lb-ft (37 000 N-m)
Swing brake	Mechanical disc
Undercarriage:	
Length	12 ft 4 in (3 760 mm)
Track gauge	6 ft 6 in (1 990 mm)
Carrier rollers	1
Track rollers	7
Shoes – Triple grouser	43 per side
Shoe width – std.	2 ft 0 in (600 mm)
Link pitch	7 in (172 mm)
Track:	
Chain	Grease lubricated/strutted
Guides	Single
Adjustment	Hydraulic

## CX145C SR LIFTING CAPACITIES WITH DOZER BLADE ON GROUND

8 ft 2 in (2.50 m) Lift capacities using a 900 lb (408 kg) bucket, 8,155 lb (3 700 kg) counterweight and 23.6 in (600 mm) track shoes.

Load (Lift Point Height)	5 ft (1.5 m)		10 ft (3 m)		15 ft (4.5 m)		20 ft (6 m)		25 ft (7.5 m)		MAXIMUM REACH		
	END	SIDE	END	SIDE	END	SIDE	END	SIDE	END	SIDE	@	END	SIDE
+25 ft (7.5 m)					4,850 lb* (2 200 kg)*	4,850 lb* (2 200 kg)*					16 ft 8 in (5.08 m)	2,950 lb* (1 338 kg)*	2,950 lb* (1 338 kg)*
+20 ft (6 m)					6,350 lb* (2 880 kg)*	6,350 lb* (2 880 kg)*	4,800 lb* (2 177 kg)*	4,800 lb* (2 177 kg)*			21 ft 9 in (6.63 m)	2,500 lb* (1 134 kg)*	2,500 lb* (1 134 kg)*
+15 ft (4.5 m)					8,050 lb* (3 651 kg)*	8,050 lb* (3 651 kg)	6,400 lb* (2 903 kg)*	5,350 lb* (2 427 kg)			24 ft 7 in (7.49 m)	2,350 lb* (1 066 kg)*	2,350 lb* (1 066 kg)*
+10 ft (3 m)	28,250 lb* (12 814 kg)*	28,250 lb* (12 814 kg)*	15,700 lb* (7 121 kg)*	15,700 lb* (7 121 kg)	11,450 lb* (5 194 kg)	8,250 lb* (3 742 kg)	8,350 lb* (3 787 kg)	5,150 lb* (2 336 kg)	4,500 lb* (2 041 kg)	3,500 lb* (1 588 kg)	26 ft 0 in (7.92 m)	2,350 lb* (1 066 kg)*	2,350 lb* (1 066 kg)*
+5 ft (1.5 m)			21,400 lb* (9 707 kg)	14,600 lb* (6 622 kg)	13,750 lb* (6 237 kg)	7,700 lb* (3 493 kg)	10,300 lb* (4 672 kg)	4,900 lb* (2 223 kg)	5,500 lb* (2 495 kg)	3,350 lb* (1 520 kg)	26 ft 3 in (8.00 m)	2,500 lb* (1 134 kg)*	2,500 lb* (1 134 kg)*
Groundline	6,250 lb* (2 835 kg)*	6,250 lb* (2 835 kg)*	19,250 lb* (8 732 kg)	13,600 lb* (6 169 kg)	14,650 lb* (6 645 kg)	7,250 lb* (3 289 kg)	10,600 lb* (4 808 kg)	4,700 lb* (2 132 kg)	4,450 lb* (2 018 kg)	3,300 lb* (1 497 kg)	25 ft 6 in (7.77 m)	2,800 lb* (1 270 kg)*	2,800 lb* (1 270 kg)
-5 ft (-1.5 m)	11,500 lb* (5 216 kg)*	11,500 lb* (5 216 kg)*	21,400 lb* (9 707 kg)	13,500 lb* (6 123 kg)	14,200 lb* (6 441 kg)	7,100 lb* (3 221 kg)	10,050 lb* (4 559 kg)	4,600 lb* (2 087 kg)			23 ft 8 in (7.21 m)	3,350 lb* (1 520 kg)*	3,350 lb* (1 520 kg)
-10 ft (-3 m)	18,300 lb* (8 301 kg)*	18,300 lb* (8 301 kg)*	17,300 lb* (7 847 kg)*	13,700 lb* (6 214 kg)	11,800 lb* (5 352 kg)	7,200 lb* (3 266 kg)	6,800 lb* (3 084 kg)	4,700 lb* (2 132 kg)			20 ft 5 in (6.22 m)	4,650 lb* (2 109 kg)*	4,550 lb* (2 064 kg)
-15 ft (-4.5 m)			9,400 lb* (4 264 kg)*	9,400 lb* (4 264 kg)*	5,000 lb* (2 268 kg)*	5,000 lb* (2 268 kg)*					15 ft 1 in (4.59 m)	4,750 lb* (2 155 kg)*	4,750 lb* (2 155 kg)*

9 ft 10 in (3.01 m) Lift capacities using a 750 lb (340 kg) bucket, 8,155 lb (3 700 kg) counterweight and 23.6 in (600 mm) track shoes.

Load (Lift Point Height)	0 ft (0 m)		5 ft (1.5 m)		10 ft (3 m)		15 ft (4.5 m)		20 ft (6 m)		25 ft (7.5 m)		MAXIMUM REACH		
	END	SIDE	END	SIDE	END	SIDE	END	SIDE	END	SIDE	END	SIDE	@	END	SIDE
+25 ft (7.5)							5,200 lb* (2 359 kg)	5,200 lb* (2 359 kg)					19 ft 2 in (5.84 m)	2,900 lb* (1 315 kg)	2,900 lb* (1 315 kg)
+20 ft (6 m)							6,050 lb* (2 744 kg)*	6,050 lb* (2 744 kg)*	5,000 lb* (2 268 kg)*	5,000 lb* (2 268 kg)*			23 ft 8 in (7.21 m)	2,500 lb* (1 134 kg)*	2,500 lb* (1 134 kg)*
+15 ft (4.5 m)							6,800 lb* (3 084 kg)*	6,800 lb* (3 084 kg)	5,850 lb* (2 654 kg)*	5,500 lb* (2 495 kg)	4,050 lb* (1 837 kg)	3,650 lb* (1 656 kg)	26 ft 3 in (8.00 m)	2,400 lb* (1 089 kg)*	2,400 lb* (1 089 kg)*
+10 ft (3 m)					9,950 lb* (4 513 kg)*	9,950 lb* (4 513 kg)	9,250 lb* (4 196 kg)	8,350 lb* (3 787 kg)	7,550 lb* (3 425 kg)	5,250 lb* (2 381 kg)	5,450 lb* (2 472 kg)	3,550 lb* (1 610 kg)	27 ft 6 in (8.38 m)	2,400 lb* (1 089 kg)*	2,400 lb* (1 089 kg)*
+5 ft (1.5 m)					19,500 lb* (8 845 kg)	15,000 lb* (6 804 kg)	13,100 lb* (5 942 kg)	7,850 lb* (3 561 kg)	10,000 lb* (4 536 kg)	4,950 lb* (2 245 kg)	6,450 lb* (2 926 kg)	3,400 lb* (1 542 kg)	27 ft 10 in (8.48 m)	2,550 lb* (1 157 kg)*	2,550 lb* (1 157 kg)*
Groundline			6,300 lb* (2 858 kg)*	6,300 lb* (2 858 kg)*	22,150 lb* (10 047 kg)	13,700 lb* (6 214 kg)	14,500 lb* (6 577 kg)	7,300 lb* (3 311 kg)	10,550 lb* (4 785 kg)	4,700 lb* (2 132 kg)	6,750 lb* (3 062 kg)	3,300 lb* (1 497 kg)	27 ft 1 in (8.26 m)	2,800 lb* (1 270 kg)*	2,800 lb* (1 270 kg)*
-5 ft (-1.5 m)	8,600 lb* (3 901 kg)	8,600 lb* (3 901 kg)	10,500 lb* (4 763 kg)*	10,500 lb* (4 763 kg)*	21,400 lb* (9 707 kg)	13,300 lb* (6 033 kg)	14,400 lb* (6 532 kg)	7,000 lb* (3 175 kg)	10,350 lb* (4 695 kg)	4,550 lb* (2 064 kg)	4,350 lb* (1 973 kg)	3,250 lb* (1 474 kg)	25 ft 4 in (7.72 m)	3,350 lb* (1 520 kg)*	3,200 lb* (1 451 kg)
-10 ft (-3 m)	11,100 lb* (5 035 kg)	11,100 lb* (5 035 kg)	15,550 lb* (7 053 kg)*	15,550 lb* (7 053 kg)*	18,900 lb* (8 573 kg)*	13,450 lb* (6 101 kg)	12,700 lb* (5 761 kg)	7,050 lb* (3 198 kg)	8,700 lb* (3 946 kg)	4,600 lb* (2 087 kg)			22 ft 4 in (6.81 m)	4,400 lb* (1 996 kg)*	3,900 lb* (1 769 kg)
-15 ft (-4.5 m)			19,050 lb* (8 641 kg)*	19,050 lb* (8 641 kg)*	12,450 lb* (5 647 kg)*	12,450 lb* (5 647 kg)*	8,150 lb* (3 697 kg)*	7,200 lb* (3 266 kg)					17 ft 7 in (5.36 m)	5,200 lb* (2 359 kg)*	5,200 lb* (2 359 kg)*

NOTE: \*Lift capacities do not exceed 75% of the minimum tipping load or 87% of the hydraulic lift capacity.  
Capacities that are marked with an asterisk are hydraulic limited.

## CX145C SR LIFTING CAPACITIES WITH DOZER BLADE ON GROUND

6 ft 10 in (2.11 m) Lift capacities using a 900 lb (408 kg) bucket, 8,155 lb (3 700 kg) counterweight and 23.6 in (600 mm) track shoes.

Load (Lift Point Height)	5 ft (1.5 m)		10 ft (3 m)		15 ft (4.5 m)		20 ft (6 m)		25 ft (7.5 m)		MAXIMUM REACH		
	END	SIDE	END	SIDE	END	SIDE	END	SIDE	END	SIDE	@	END	SIDE
+25 ft (7.5 m)			3,800 lb (1 724 kg)	3,800 lb (1 724 kg)							14 ft 7 in (4.45 m)	3,650 lb (1 656 kg)	3,650 lb (1 656 kg)
+20 ft (6 m)					6,900 lb* (3 130 kg)*	6,900 lb* (3 130 kg)*	3,800 lb* (1 724 kg)*	3,800 lb* (1 724 kg)*			20 ft 4 in (6.20 m)	3,000 lb* (1 361 kg)*	3,000 lb* (1 361 kg)*
+15 ft (4.5 m)			10,000 lb (4 536 kg)	10,000 lb (4 536 kg)	9,450 lb* (4 286 kg)*	8,500 lb (3 856 kg)	7,150 lb (3 243 kg)	5,250 lb (2 381 kg)			23 ft 4 in (7.11 m)	2,800 lb* (1 270 kg)	2,800 lb* (1 270 kg)
+10 ft (3 m)			17,450 lb* (7 915 kg)*	15,800 lb (7 167 kg)	12,050 lb (5 466 kg)	8,050 lb (3 651 kg)	9,500 lb (4 309 kg)	5,050 lb (2 291 kg)			24 ft 10 in (7.57 m)	2,800 lb* (1 270 kg)	2,800 lb* (1 270 kg)
+5 ft (1.5 m)			21,600 lb* (9 798 kg)*	14,150 lb (6 418 kg)	14,100 lb (6 396 kg)	7,550 lb (3 425 kg)	10,450 lb (4 740 kg)	4,800 lb (2 177 kg)	3,400 lb (1 542 kg)	3,300 lb (1 497 kg)	25 ft 1 in (7.65 m)	2,950 lb* (1 338 kg)*	2,950 lb* (1 338 kg)*
Groundline			17,600 lb (7 983 kg)	13,350 lb (6 055 kg)	14,600 lb (6 622 kg)	7,150 lb (3 243 kg)	10,500 lb (4 763 kg)	4,600 lb (2 087 kg)			24 ft 4 in (7.42 m)	3,300 lb* (1 497 kg)*	3,300 lb* (1 497 kg)*
-5 ft (-1.5 m)	12,450 lb* (5 647 kg)*	12,450 lb* (5 647 kg)*	20,300 lb* (9 208 kg)*	13,450 lb (6 101 kg)	13,750 lb (6 237 kg)	7,050 lb (3 198 kg)	9,550 lb (4 332 kg)	4,550 lb (2 064 kg)			22 ft 4 in (6.81 m)	4,000 lb* (1 814 kg)*	3,850 lb (1 746 kg)
-10 ft (-3 m)	18,750 lb* (8 505 kg)*	18,750 lb* (8 505 kg)*	15,450 lb* (7 008 kg)*	13,650 lb* (6 192 kg)*	10,650 lb (4 831 kg)	7,200 lb (3 266 kg)					18 ft 11 in (5.77 m)	5,700 lb* (2 585 kg)*	5,100 lb* (2 313 kg)*

NOTE: \*Lift capacities do not exceed 75% of the minimum tipping load or 87% of the hydraulic lift capacity.  
Capacities that are marked with an asterisk are hydraulic limited.

## CX145C SR LIFTING CAPACITIES WITH DOZER BLADE OFF GROUND

8 ft 2 in (2.50 m) Lift capacities using an 900 lb (408 kg) bucket, 8,155 lb (3 700 kg) counterweight and 23.6 in (600 mm) track shoes.

Load (Lift Point Height)	5 ft (1.5 m)		10 ft (3 m)		15 ft (4.5 m)		20 ft (6 m)		25 ft (7.5 m)		MAXIMUM REACH		
	END	SIDE	END	SIDE	END	SIDE	END	SIDE	END	SIDE	@	END	SIDE
+25 ft (7.5 m)					4,850 lb* (2 200 kg)*	4,850 lb* (2 200 kg)*					16 ft 8 in (5.08 m)	2,950 lb* (1 338 kg)*	2,950 lb* (1 338 kg)*
+20 ft (6 m)					6,350 lb* (2 844 kg)*	6,350 lb* (2 844 kg)*	4,800 lb* (2 177 kg)*	4,800 lb* (2 177 kg)*			21 ft 9 in (6.63 m)	2,500 lb* (1 134 kg)*	2,500 lb* (1 134 kg)*
+15 ft (4.5 m)					8,050 lb* (3 651 kg)*	8,050 lb* (3 651 kg)	6,400 lb* (2 903 kg)*	5,100 lb* (2 313 kg)			24 ft 7 in (7.49 m)	2,350 lb* (1 066 kg)*	2,350 lb* (1 066 kg)*
+10 ft (3 m)	28,250 lb* (12 814 kg)*	28,250 lb* (12 814 kg)*	15,700 lb* (7 121 kg)*	15,000 lb* (6 804 kg)	10,550 lb* (4 785 kg)	7,850 lb* (3 561 kg)	6,550 lb* (2 971 kg)	4,900 lb* (2 223 kg)	4,450 lb* (2 018 kg)	3,300 lb* (1 497 kg)	26 ft 0 in (7.92 m)	2,350 lb* (1 066 kg)*	2,350 lb* (1 066 kg)*
+5 ft (1.5 m)			20,200 lb* (9 163 kg)	13,700 lb* (6 214 kg)	10,000 lb* (4 536 kg)	7,300 lb* (3 311 kg)	6,300 lb* (2 858 kg)	4,650 lb* (2 109 kg)	4,350 lb* (1 973 kg)	3,200 lb* (1 451 kg)	26 ft 3 in (8.00 m)	2,500 lb* (1 134 kg)*	2,500 lb* (1 134 kg)*
Groundline	6,250 lb* (2 835 kg)*	6,250 lb* (2 835 kg)*	18,900 lb* (8 573 kg)	12,750 lb* (5 783 kg)	9,550 lb* (4 332 kg)	6,850 lb* (3 107 kg)	6,050 lb* (2 744 kg)	4,400 lb* (1 996 kg)	4,250 lb* (1 928 kg)	3,100 lb* (1 406 kg)	25 ft 6 in (7.77 m)	2,800 lb* (1 270 kg)*	2,800 lb* (1 270 kg)
-5 ft (-1.5 m)	11,500 lb* (5 216 kg)*	11,500 lb* (5 216 kg)*	18,900 lb* (8 573 kg)	12,650 lb* (5 738 kg)	9,350 lb* (4 241 kg)	6,650 lb* (3 016 kg)	5,950 lb* (2 699 kg)	4,350 lb* (1 973 kg)			23 ft 8 in (7.21 m)	3,350 lb* (1 520 kg)*	3,350 lb* (1 520 kg)
-10 ft (-3 m)	18,300 lb* (8 301 kg)*	18,300 lb* (8 301 kg)*	17,300 lb* (7 847 kg)*	12,850 lb* (5 829 kg)	9,450 lb* (4 286 kg)	6,800 lb* (3 084 kg)	6,050 lb* (2 744 kg)	4,450 lb* (2 018 kg)			20 ft 5 in (6.22 m)	4,650 lb* (2 109 kg)*	4,300 lb* (1 950 kg)
-15 ft (-4.5 m)			9,400 lb* (4 264 kg)*	9,400 lb* (4 264 kg)*	5,000 lb* (2 268 kg)*	5,000 lb* (2 268 kg)*					15 ft 1 in (4.59 m)	4,750 lb* (2 155 kg)*	4,750 lb* (2 155 kg)*

9 ft 10 in (3.01 m) Lift capacities using a 750 lb (340 kg) bucket, 8,155 lb (3 700 kg) counterweight and 23.6 in (600 mm) track shoes.

Load (Lift Point Height)	0 ft (0 m)		5 ft (1.5 m)		10 ft (3 m)		15 ft (4.5 m)		20 ft (6 m)		25 ft (7.5 m)		MAXIMUM REACH		
	END	SIDE	END	SIDE	END	SIDE	END	SIDE	END	SIDE	END	SIDE	@	END	SIDE
+25 ft (7.5 m)							5,200 lb* (2 359 kg)	5,200 lb* (2 359 kg)					19 ft 2 in (5.84 m)	2,900 lb* (1 315 kg)	2,900 lb* (1 315 kg)
+20 ft (6 m)							6,050 lb* (2 744 kg)*	6,050 lb* (2 744 kg)*	5,000 lb* (2 268 kg)*	5,000 lb* (2 268 kg)*			23 ft 8 in (7.21 m)	2,500 lb* (1 134 kg)*	2,500 lb* (1 134 kg)*
+15 ft (4.5 m)							6,800 lb* (3 084 kg)*	6,800 lb* (3 084 kg)	5,850 lb* (2 654 kg)*	5,250 lb* (2 381 kg)	4,050 lb* (1 837 kg)	3,450 lb* (1 565 kg)	26 ft 3 in (8.00 m)	2,400 lb* (1 089 kg)*	2,400 lb* (1 089 kg)*
+10 ft (3 m)					9,950 lb* (4 513 kg)*	9,950 lb* (4 513 kg)	9,250 lb* (4 196 kg)	7,950 lb* (3 606 kg)	6,700 lb* (3 039 kg)	5,000 lb* (2 268 kg)	4,550 lb* (2 064 kg)	3,350 lb* (1 520 kg)	27 ft 6 in (8.38 m)	2,400 lb* (1 089 kg)*	2,400 lb* (1 089 kg)*
+5 ft (1.5 m)					19,500 lb* (8 845 kg)	14,100 lb* (6 396 kg)	10,150 lb* (4 604 kg)	7,400 lb* (3 357 kg)	6,350 lb* (2 880 kg)	4,700 lb* (2 132 kg)	4,400 lb* (1 996 kg)	3,200 lb* (1 451 kg)	27 ft 10 in (8.48 m)	2,550 lb* (1 157 kg)*	2,550 lb* (1 157 kg)*
Groundline			6,300 lb* (2 858 kg)*	6,300 lb* (2 858 kg)*	19,150 lb* (8 686 kg)	12,800 lb* (5 806 kg)	9,600 lb* (4 354 kg)	6,900 lb* (3 130 kg)	6,100 lb* (2 767 kg)	4,450 lb* (2 018 kg)	4,250 lb* (1 928 kg)	3,100 lb* (1 406 kg)	27 ft 1 in (8.26 m)	2,800 lb* (1 270 kg)*	2,700 lb* (1 225 kg)*
-5 ft (-1.5 m)	8,600 lb* (3 901 kg)	8,600 lb* (3 901 kg)	10,500 lb* (4 763 kg)*	10,500 lb* (4 763 kg)*	18,600 lb* (8 437 kg)	12,450 lb* (5 647 kg)	9,250 lb* (4 196 kg)	6,600 lb* (2 994 kg)	5,950 lb* (2 699 kg)	4,300 lb* (1 950 kg)	4,250 lb* (1 928 kg)	3,050 lb* (1 383 kg)	25 ft 4 in (7.72 m)	3,350 lb* (1 520 kg)*	3,000 lb* (1 361 kg)
-10 ft (-3 m)	11,100 lb* (5 035 kg)	11,100 lb* (5 035 kg)	15,550 lb* (7 053 kg)*	15,550 lb* (7 053 kg)*	18,600 lb* (8 437 kg)*	12,600 lb* (5 715 kg)	9,300 lb* (4 218 kg)	6,650 lb* (3 016 kg)	6,000 lb* (2 722 kg)	4,350 lb* (1 973 kg)			22 ft 4 in (6.81 m)	4,400 lb* (1 996 kg)*	3,650 lb* (1 656 kg)
-15 ft (-4.5 m)			19,050 lb* (8 641 kg)*	19,050 lb* (8 641 kg)*	12,450 lb* (5 647 kg)*	12,450 lb* (5 647 kg)*	8,150 lb* (3 697 kg)*	6,800 lb* (3 084 kg)					17 ft 7 in (5.36 m)	5,200 lb* (2 359 kg)*	5,200 lb* (2 359 kg)*

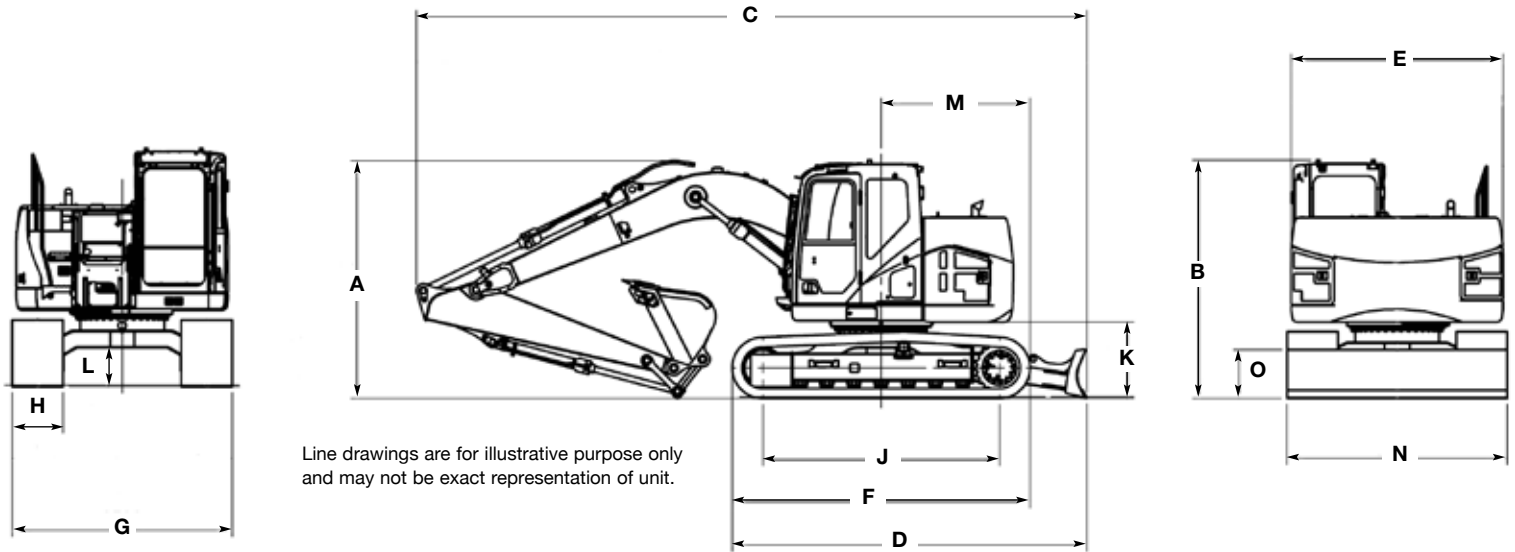
NOTE: \*Lift capacities do not exceed 75% of the minimum tipping load or 87% of the hydraulic lift capacity.  
Capacities that are marked with an asterisk are hydraulic limited.

## CX145C SR LIFTING CAPACITIES WITH DOZER BLADE OFF GROUND

6 ft 10 in (2.11 m) Lift capacities using a 900 lb (408 kg) bucket, 8,155 lb (3 700 kg) counterweight and 23.6 in (600 mm) track shoes.

Load (Lift Point Height)	5 ft (1.5 m)		10 ft (3 m)		15 ft (4.5 m)		20 ft (6 m)		25 ft (7.5 m)		MAXIMUM REACH		
	END	SIDE	END	SIDE	END	SIDE	END	SIDE	END	SIDE	@	END	SIDE
+25 ft (7.5 m)			3,800 lb (1 724 kg)	3,800 lb (1 724 kg)							14 ft 7 in (4.45 m)	3,650 lb (1 656 kg)	3,650 lb (1 656 kg)
+20 ft (6 m)					6,900 lb* (3 130 kg)*	6,900 lb* (3 130 kg)*	3,800 lb* (1 724 kg)*	3,800 lb* (1 724 kg)*			20 ft 4 in (6.20 m)	3,000 lb* (1 361 kg)*	3,000 lb* (1 361 kg)*
+15 ft (4.5 m)			10,000 lb (4 536 kg)	10,000 lb (4 536 kg)	9,450 lb* (4 286 kg)*	8,100 lb (3 674 kg)	6,650 lb (3 016 kg)	4,950 lb (2 245 kg)			23 ft 4 in (7.11 m)	2,800 lb* (1 270 kg)	2,800 lb* (1 270 kg)
+10 ft (3 m)			17,450 lb* (7 915 kg)*	14,850 lb (6 736 kg)	10,400 lb (4 717 kg)	7,650 lb (3 470 kg)	6,450 lb (2 926 kg)	4,750 lb (2 155 kg)			24 ft 10 in (7.57 m)	2,800 lb* (1 270 kg)	2,800 lb* (1 270 kg)
+5 ft (1.5 m)			19,700 lb* (8 936 kg)*	13,250 lb (6 010 kg)	9,800 lb (4 445 kg)	7,100 lb (3 221 kg)	6,200 lb (2 812 kg)	4,550 lb (2 064 kg)	3,400 lb (1 542 kg)	3,100 lb (1 406 kg)	25 ft 1 in (7.65 m)	2,950 lb* (1 338 kg)*	2,950 lb* (1 338 kg)*
Groundline			17,600 lb (7 983 kg)	12,500 lb (5 670 kg)	9,400 lb (4 264 kg)	6,700 lb (3 039 kg)	6,000 lb (2 722 kg)	4,350 lb (1 973 kg)			24 ft 4 in (7.42 m)	3,300 lb* (1 497 kg)*	3,200 lb* (1 451 kg)*
-5 ft (-1.5 m)	12,450 lb* (5 647 kg)*	12,450 lb* (5 647 kg)*	18,800 lb* (8 528 kg)*	12,600 lb (5 715 kg)	9,250 lb (4 196 kg)	6,600 lb (2 994 kg)	5,950 lb (2 699 kg)	4,300 lb (1 950 kg)			22 ft 4 in (6.81 m)	4,000 lb* (1 814 kg)*	3,650 lb (1 656 kg)
-10 ft (-3 m)	18,750 lb* (8 505 kg)*	18,750 lb* (8 505 kg)*	15,450 lb* (7 008 kg)*	12,800 lb* (5 806 kg)*	9,400 lb (4 264 kg)	6,800 lb (3 084 kg)					18 ft 11 in (5.77 m)	5,700 lb* (2 585 kg)*	4,800 lb* (2 177 kg)*

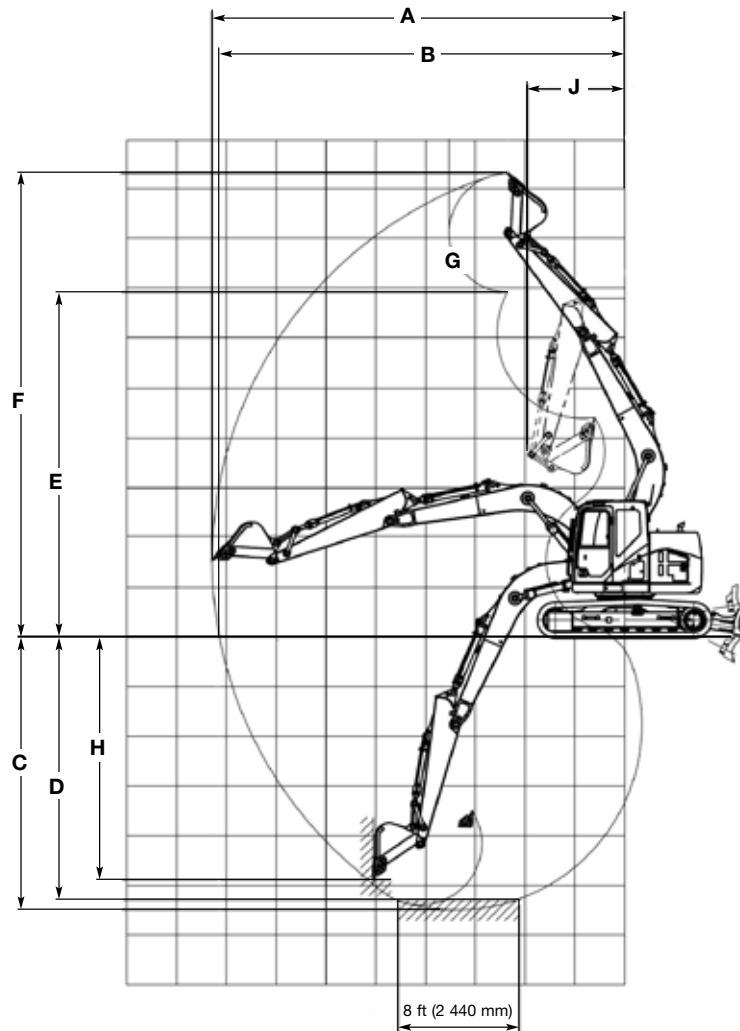
NOTE: \*Lift capacities do not exceed 75% of the minimum tipping load or 87% of the hydraulic lift capacity.  
Capacities that are marked with an asterisk are hydraulic limited.



## DIMENSIONS

	8 ft 2 in (2.50 m) Arm	9 ft 10 in (3.01 m) Arm	6 ft 10 in (2.11 m) Arm Offset Boom
<b>A.</b> Overall height with attachment	9 ft 2 in (2 800 mm)	9 ft 2 in (2 800 mm)	9 ft 2 in (2 800 mm)
<b>B.</b> Cab height	9 ft 2 in (2 800 mm)	9 ft 2 in (2 800 mm)	9 ft 2 in (2 800 mm)
<b>C.</b> Overall length with attachment	25 ft 10 in (7 880 mm)	25 ft 9 in (7 840 mm)	25 ft 2 in (7 680 mm)
<b>D.</b> Overall length with out attachment	13 ft 6 in (4 110 mm)	13 ft 6 in (4 110 mm)	11 ft 6 in (3 500 mm)
<b>E.</b> Width of upper structure	8 ft 2 in (2 490 mm)	8 ft 2 in (2 490 mm)	8 ft 2 in (2 490 mm)
<b>F.</b> Track overall length	11 ft 6 in (3 500 mm)	11 ft 6 in (3 500 mm)	11 ft 6 in (3 500 mm)
<b>G.</b> Track overall width with 23.6 in (600 mm) shoes	8 ft 6 in (2 590 mm)	8 ft 6 in (2 590 mm)	8 ft 6 in (2 590 mm)
<b>H.</b> Track shoe width	2 ft 0 in (600 mm)	2 ft 0 in (600 mm)	2 ft 0 in (600 mm)
<b>J.</b> Center to center - idler to sprocket	9 ft 2 in (2 790 mm)	9 ft 2 in (2 790 mm)	9 ft 2 in (2 790 mm)
<b>K.</b> Upper structure ground clearance	2 ft 11 in (880 mm)	2 ft 11 in (880 mm)	2 ft 11 in (880 mm)
<b>L.</b> Minimum ground clearance	1 ft 5 in (440 mm)	1 ft 5 in (440 mm)	1 ft 5 in (440 mm)
<b>M.</b> Rear tail swing radius	5 ft 1 in (1 550 mm)	5 ft 1 in (1 550 mm)	5 ft 1 in (1 550 mm)
<b>N.</b> Dozer blade length	8 ft 6 in (2 590 mm)	8 ft 6 in (2 590 mm)	8 ft 6 in (2 590 mm)
<b>O.</b> Dozer blade height	1 ft 10 in (570 mm)	1 ft 10 in (570 mm)	1 ft 10 in (570 mm)
Operating weight*	33,290 lb (15 100 kg)	33,473 lb (15 183 kg)	33,188 lb (14 600 kg)
Ground pressure	5.9 psi (0.41 bar)	5.9 psi (0.41 bar)	5.9 psi (0.41 bar)

NOTE: \*With 23.6 in (600 mm) track shoe, 880 lb (400 kg) bucket, 165 lb (75 kg) operator, full fuel and standard equipment.



## PERFORMANCE SPECS

	8 ft 2 in (2.50 m) Arm	9 ft 10 in (3.01 m) Arm	6 ft 10 in (2.11 m) Arm Offset Boom
<b>A.</b> Maximum dig radius	27 ft 2 in (8 290 mm)	28 ft 8 in (8 740 mm)	24 ft 11 in (7 590 mm)
<b>B.</b> Dig radius at groundline	26 ft 8 in (8 140 mm)	28 ft 3 in (8 600 mm)	24 ft 5 in (7 430 mm)
<b>C.</b> Maximum dig depth	18 ft 1 in (5 510 mm)	19 ft 9 in (6 010 mm)	16 ft 1 in (4 910 mm)
<b>D.</b> Dig depth – 8 ft 0 in (2.44 m) level bottom	17 ft 4 in (5 290 mm)	19 ft 2 in (5 830 mm)	15 ft 1 in (4 590 mm)
<b>E.</b> Dump height	22 ft 9 in (6 940 mm)	23 ft 11 in (7 290 mm)	20 ft 6 in (6 250 mm)
<b>F.</b> Maximum reach height	30 ft 8 in (9 340 mm)	31 ft 9 in (9 690 mm)	28 ft 4 in (8 630 mm)
<b>G.</b> Bucket rotation	178°	178°	178°
<b>H.</b> Maximum vertical wall dig depth	16 ft 1 in (4 900 mm)	17 ft 4 in (5 290 mm)	11 ft 10 in (3 610 mm)
<b>J.</b> Minimum swing radius	6 ft 5 in (1 950 mm)	7 ft 8 in (2 330 mm)	7 ft 3 in (2 220 mm)
Arm digging force:			
Standard	13,938 lb (62 kN)	12,589 lb (56 kN)	15,737 lb (70 kN)
Power Boost	14,837 lb (66 kN)	13,489 lb (60 kN)	16,636 lb (74 kN)
Bucket digging force:			
Standard	20,233 lb (90 kN)	20,233 lb (90 kN)	20,233 lb (90 kN)
Power Boost	21,357 lb (95 kN)	21,357 lb (95 kN)	21,357 lb (95 kN)

## STANDARD EQUIPMENT

### ENGINE

Isuzu four-cylinder turbo-charged diesel  
Tier 4 Interim Certified (CEGR)  
Electronic fuel injection  
High pressure common rail system  
Diesel Particulate Defuser System (DPD)  
Neutral safety start  
Auto-engine warm up  
Glow-plug pre-heat  
EPF (Engine Protection Feature)  
Dual-stage fuel filtration  
Dual element air filter  
Remote oil filter  
Green plug oil drain  
500-hour engine oil change interval  
24-volt system  
Requires CJ-4 engine oil  
Requires ultra low-sulfur fuel

### FUEL ECONOMY SYSTEMS

Engine Idle/Fuel Economy System:  
Auto-idle  
One-touch idle  
Idle shut-down  
BEC—Boom Economy Control  
AEC—Auto Economy Control  
SWC—Swing Relief Control  
SSC—Spool Stroke Control

### HYDRAULICS

Auto power boost  
Auto swing priority  
Auto travel speed change

## HYDRAULICS (CONTINUED)

Selectable work modes  
ISO pattern controls  
Pre-set auxiliary pump settings  
Auxiliary valve  
5,000-hour hydraulic oil change interval  
1,000-hour hydraulic filter change interval  
SAHR brake

### UPPER STRUCTURE

Right and left side mirrors  
Isolation mounted cab (fluid and spring)  
Common key vandal locks  
Upper mounted work light (70 watt)  
Swivel guard belly pan

### ATTACHMENTS

Boom—15 ft 6 in (4.72 m)  
Arm—8 ft 2 in (2.50 m)  
Heavy-duty bucket linkage  
Boom mounted work light (70 watt)  
Auxiliary pipe brackets  
Centralized grease fittings  
Attachment cushion valve  
Arm and boom regeneration

### OPERATOR STATION

ROPS protection  
FOPS cab top guard (Level 1)  
Pressurized cab  
One-touch lock front window  
AC/heat/defrost with auto climate control  
Color monitor—7 in (180 mm)

## OPERATOR STATION (CONTINUED)

Interior dome light  
Air-suspension seat (cloth)  
Seatbelt—3 in (76 mm)  
Adjustable armrests  
Tilting consoles—4-position  
Low-effort joystick controls  
Sliding cockpit—7 in (180 mm)  
Straight travel  
AM/FM radio w/ antenna and 2 speakers  
Aux-in port for personal electronics  
Rear-view camera  
Anti-theft system (start code system)  
Rubber floor mat  
12-volt electric outlet  
24-volt cigarette lighter  
External rearview mirrors  
Windshield wiper / washer  
Clear (polycarbonate) roof window w/ sunshade  
Cup holder  
Storage compartments  
On-board diagnostic system  
Travel alarm with cancel switch  
One key start and lock-up

### UNDERCARRIAGE

23.6 in (600 mm) steel shoes, triple semi-grouser  
Full overlap turntable bearing tub  
Hydraulic track adjustment  
X-pattern car body

### TELEMATICS

CASE SiteWatch™ Telematics – includes hardware and a 3-yr Advanced data subscription

## OPTIONAL EQUIPMENT

### HYDRAULICS

Auxiliary hydraulics:  
Single acting / joystick activated  
Double acting / joystick activated  
Multi-function / joystick activated\*  
Secondary low-flow / joystick activated\*

### ATTACHMENTS

Boom—15 ft 6 in (4.72 m) offset boom  
Arm—6 ft 10 in (2.11 m) for offset boom  
Arm—6 ft 10 in (2.11 m) HD for standard boom  
Arm—9 ft 11 in (3.01 m) for standard boom  
Coupler/Case multi-pin grabber  
Buckets:  
Heavy-duty  
Extreme-duty  
Load holding control  
Free swing (order kit through Service Parts)  
Hose Burst Check Valve (HBCV)

NOTE: \* Not available with offset boom option.

### OPERATOR STATION

Control pattern selector  
FOPS cab top guard (Level 2)  
Front grill guard—2 x 2 screen mesh  
Front rock guard—vertical bars (two piece) / OPG 1  
Front rock guard—vertical bars (fixed/one piece) / OPG 2  
Vandal guard  
Rain deflector  
Sun visor  
Side-view camera  
Refueling pump

### UNDERCARRIAGE

27.6 in (700 mm) steel shoes, triple semi-grouser  
20.0 in (500 mm) rubber shoes  
Double track chain guides

## BUCKETS

Application	Width	SAE Heaped Capacity
Heavy-duty	24 in to 42 in (0.61 m to 1.07 m)	0.43 yd <sup>3</sup> to 0.83 yd <sup>3</sup> (0.33 m <sup>3</sup> to 0.64 m <sup>3</sup> )
Extreme-duty	24 in to 42 in (0.61 m to 1.07 m)	0.51 yd <sup>3</sup> to 0.97 yd <sup>3</sup> (0.39 m <sup>3</sup> to 0.74 m <sup>3</sup> )
Heavy-duty coupler	24 in to 42 in (0.61 m to 1.07 m)	0.43 yd <sup>3</sup> to 0.83 yd <sup>3</sup> (0.33 m <sup>3</sup> to 0.64 m <sup>3</sup> )
Ditching	48 in to 60 in (1.22 m to 1.52 m)	0.79 yd <sup>3</sup> to 1.02 yd <sup>3</sup> (0.60 m <sup>3</sup> to 0.78 m <sup>3</sup> )



**This page intentionally left blank.**

NOTE: All specifications are stated in accordance with SAE Standards or Recommended Practices, where applicable.

NOTE: All engines meet current EPA emissions requirements.

IMPORTANT: Case Construction Inc. reserves the right to change these specifications without notice and without incurring any obligation relating to such change. Case Construction Inc. does not warrant the safety or reliability of attachments from other manufacturers.

CASE is a trademark registered in the United States and many other countries, owned by or licensed to CNH Industrial N.V., its subsidiaries or affiliates. CNH Industrial Capital is a trademark in the United States and many other countries, owned by or licensed to CNH Industrial N.V., its subsidiaries or affiliates.



[www.casece.com](http://www.casece.com)

