



## ENGINE

Make	Deutz TCD 3.6 L4
Emissions Certification	Tier 4 Final
Type	Diesel
Cylinders	4
Displacement	221 in <sup>3</sup> (3 621 cm <sup>3</sup> )
Horsepower @ 2200 RPM	100 hp (74.4 kW)
Max. torque @ 1600 RPM	302.4 lbf-ft (410 N-m)

## DRIVETRAIN

Drive	Hydrostatic
Maximum speed	6.5 mph (10.5 kph)
Service brake	SAHR
Parking brake	Multi-disc
Emergency brake	Multi-disc
Drum drive	Front and rear
Drive motors – dual	1 front, 1 rear
Drive motor pump	Variable displacement axial piston
Gradeability (vibration off)	25% (30%)

## ELECTRICAL

Voltage	24 Volts
Battery	420 CCA
Halogen work lights	4 (55 watt/front and rear)
Turn signals & four-way flashers	Left/right

## OPERATOR ENVIRONMENT

Operator work stations	1
Seat – multi-position/suspension	1
Seat position	Rotating and pivoting
Lever travel control	1
Seat-belt – retractable	3 in (76.2 mm)
Steering column	Adjustable up/down
Rearview mirrors	2 – front frame mounted

## OPERATING WEIGHT

Operating weight	22,440 lb (10 180 kg)
w/cab option – add	970 lb (440 kg)
Front drum load	11,380 lb (5 160 kg)
Front drum linear load	171.9 lb/in (30.7 kg/cm)
Rear wheel load	11,070 lb (5 020 kg)
Single side edge cutter	330 lb (150 kg)
Double side edge cutter	660 lb (300 kg)

## SERVICE CAPACITIES

Fuel tank	58.1 gal (220 L)
Engine oil	9.5 qt (9 L)
SCR tank	5.8 gal (22 L)
Hydraulic system – reservoir	16 gal (60 L)
Vibration system	2 gal (7.5 L)

## OTHER SPECIFICATIONS

Steering:	
Pump type	Gear
Steering cylinders	2
Steering angle – left and right	31°
Oscillation angle +/-	6°
Inside turning radius	215 in (5 470 mm)
Outside turning radius	293 in (7 450 mm)

Water system:	
Water tank	222 gal (840 L)
	front frame mount
Water tank	Polyethylene
Water feed	Pressurized
Pumps	3
Fill ports	2
Filtration stages	3

Front drum vibration:	
System design	Closed center
Pump type	Gear
Fixed displacement hydraulic motors	2
Vibration	Eccentric
Drum vibration	Front only
Frequency:	
Low	2,760 vpm (46 Hz)
High	4,020 vpm (67 Hz)
Amplitude:	
Low	0.009 in (0.22 mm)
High	0.024 in (0.60 mm)
Centrifugal force:	
Low	18,434 lb (82 kN)
High	23,605 lb (105 kN)

Rear tires:	
Tire pressure	180 kpa
Number of tires	4
Size of tires	11 x 20 16PR
Type of tires	COMPACTOR
Type of tires	Tube Type

## STANDARD EQUIPMENT

### OTHER

Fixed ROPS/FOPS Canopy  
Articulated chassis  
Deutz TCD 3.6 L4/Tier 4 Final engine  
Hydrostatic drive  
Vulcollon drum scrapers – fixed  
Machined tapered drum edges  
Spin-on fuel, engine oil and hydraulic filters  
Master disconnect switch  
4-point lift and tie down provision  
Worklights w/turn signals  
Back-up alarm  
Brake release  
Drum offset – crab steer

### OPERATOR ENVIRONMENT

Iso-mounted operator's platform  
Anti-Vandal Covers  
Multi-position shifting suspension seat w/foldable armrests  
Adjustable steering column  
Single lever speed and direction control w/ vibration on/off control  
Speed selector  
Smooth start and stop  
Return to center – offset  
Handrails  
Tool box  
3 in retractable seat-belt  
Emergency stop button  
Seat safety switch

### INSTRUMENT PANEL

Intelligent intergrated display screen  
Ignition lockout  
Hour meter  
Throttle control  
Manual or auto vibration control  
Water tank level  
Fuel tank level  
Vibration frequency  
Sprinkler intensity

### INDICATOR LIGHTS

Battery  
Coolant level  
Engine temperature warning  
Air filter  
Hydraulic filter  
Hydraulic oil level  
Parking brake  
Fuel filter  
Sprinkler on/off

## MONITOR DISPLAY PANEL

Engine RPM  
 Engine hours  
 Fuel rate  
 System voltage  
 % engine load at current RPM  
 Coolant temperature  
 Oil pressure  
 Fuel economy  
 Current fuel consumption  
 Active service codes

## WATER SYSTEM

Pressurized water system  
 Dual fill port water tank  
 3-stage water filtration  
 Water system on/off  
 Water system drain  
 Adjustable sprinkler volume control

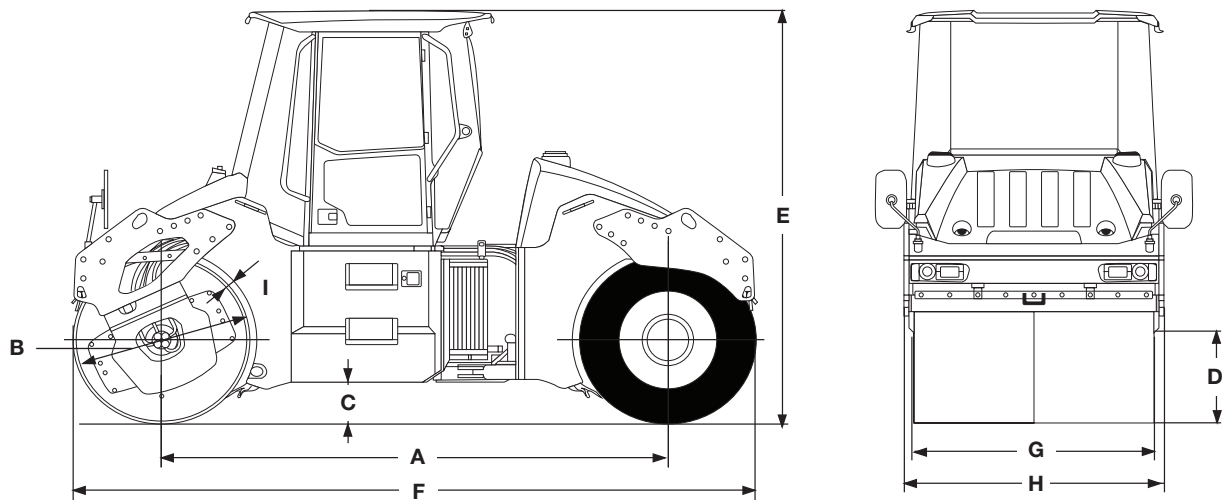
## VIBRATION SYSTEM

Front drum vibration control modes  
 Auto vibration stop in neutral  
 Dual-mode vibratory system

## OPTIONAL EQUIPMENT

### OTHER

Cab with heat and ventilation  
 Cab air conditioning  
 Radio mounting with 2 speakers and antenna – no radio  
 Rotating beacon  
 Right side edge cutter (45 or 60 degrees)  
 Right and left side edge cutters (45 or 60 degrees)  
 Tiltable scrapers – front  
 Infrared thermometer  
 Cab mounted LED work lights  
 360 degree night illumination kit  
 Left hand control lever – in addition to the right hand lever  
 ACE Force Intelligent Compaction  
 CASE SiteWatch



Line drawings are for illustrative purpose only and may not be exact representation of unit.

## DIMENSIONS

A. Wheelbase	11 ft 5 in (3 500 mm)
B. Front drum diameter	48 in (1 220 mm)
C. Ground clearance	11.8 in (300 mm)
D. Curb clearance	30.7 in (780 mm)
E. Overall height	9 ft 10 in (3 000 mm)
F. Overall length	15 ft 5 in (4 720 mm)
G. Front drum compaction width	66 in (1 680 mm)
H. Overall width	71 in (1 800 mm)
I. Drum thickness	0.9 in (22 mm)
Crab steer offset	6.7 in (170 mm)

## CaseCE.com

©2017 CNH Industrial America LLC. All rights reserved. CASE is a trademark registered in the United States and many other countries, owned by or licensed to CNH Industrial N.V., its subsidiaries or affiliates. CNH Industrial Capital is a trademark in the United States and many other countries, owned by or licensed to CNH Industrial N.V., its subsidiaries or affiliates. Printed in U.S.A. Contains 10% post-consumer fiber.

IMPORTANT: CASE Construction Equipment Inc. reserves the right to change these specifications without notice and without incurring any obligation relating to such change. Availability of some models and equipment builds vary according to the country in which the equipment is used. The illustrations and text may include optional equipment and accessories and may not include all standard equipment. Your CASE dealer/distributor will be able to give you details of the products and their specifications available in your area.



CASE Construction Equipment is biodiesel-friendly. NOTE: All engines meet current EPA emissions regulations. All specifications are stated in accordance with SAE Standards or Recommended Practices, where applicable.



Always read the Operator's Manual before operating any equipment. Inspect equipment before using it, and be sure it is operating properly. Follow the product safety signs and use any safety features provided.

Form No. CCE201712DV210CD  
 Replaces Form No. CCE201704DV210CD

DV210CD