

HIGHLIGHTS: RM CS SERIES

CONTAINER SCREEN – SKID-MOUNTED SCREENING EQUIPMENT MORE SIMPLICITY

A post screen for every crusher. Each size of screen in the CS series is designed to be perfectly compatible with our mobile crushers. All the screens are powerful and process grain from recycling and natural rock as well as round grain to standardised grain sizes.

Depending on the type of screen and crusher, between one and three fractions can be produced in a single pass. Like all RM products, the post screens in the CS series stand out thanks to their low maintenance requirement and useful features, such as self-cleaning screen decks.



Advanced technology

Excellent screening accuracy even at maximum throughput; highly efficient thanks to self-cleaning screen deck options.



Large screen media range

RM offers a wide selection of different screen decks to optimise the screening process and achieve the right grade aggregate.



Compact design

Compact, lightweight and mobile: the CS series are quickly transported to any job site using a hook-lift truck.



Small footprint

Enables truly compact set-up areas.



Portable quarry

True versatility to produce high quality aggregates.



Fast set up times

CS series are quickly transported and ready for action within minutes.



Crusher Plug-In

Enormous energy savings due to screener being powered by crusher.



Suits your needs

Versatile and very efficient for sorting recycling, building materials and natural rock.

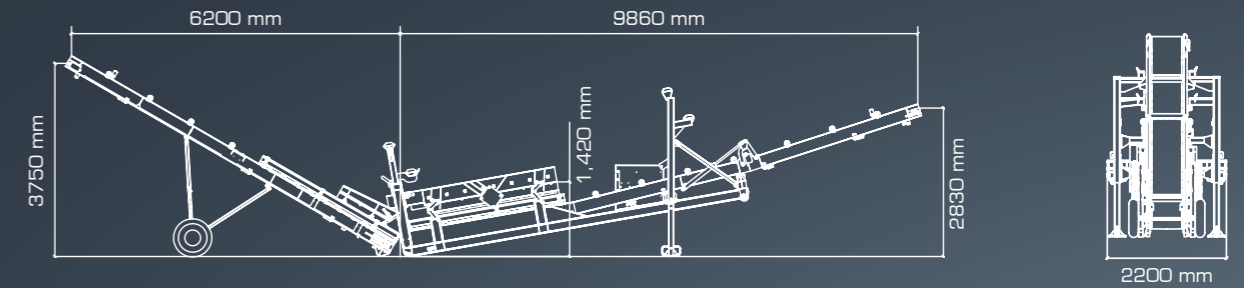
DATA

RM CS SERIES MOUNTED SCREENING EQUIPMENT

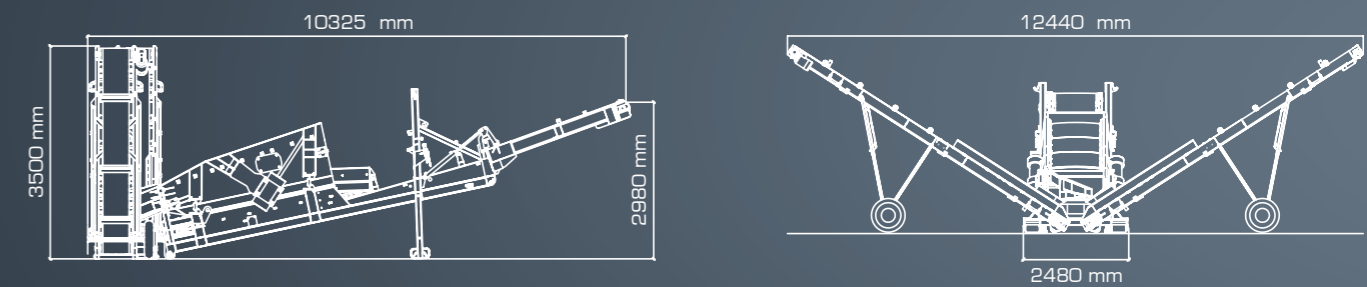
	RM CS2500 1D/2D	RM CS3600 2D	RM CS4800 2D
Screen mesh size	2,500 x 1,000 mm	3,000 x 1,200 mm	3,500 x 1,300 mm
Deck data	1 deck (2 deck)	2 deck	2 deck
Screenbox, angle	8° - 15°	8° - 15°	7.5° - 13.5°
Output	up to 80 t/h (100 t/h), depending on screen angle, mesh size and feed material	up to 150 t/h, depending on screen angle, mesh size and feed material	up to 250 t/h, depending on screen angle, mesh size and feed material
Drive	Crusher plug in or external	Crusher plug in or external	Crusher plug in or external
Feed material size	Edge length max. 70 mm	Edge length max. 70 mm	Edge length max. 70 mm
Screening range	0/4 to 0/40 mm	0/4 to 0/40 mm	0/4 to 0/40 mm
Fines discharge belt, conveyor length	9,600 mm	8,760 mm	9,155 mm
Fines discharge belt, discharge height	2,600 - 3,700 mm	2,400 - 3,440 mm	2,340 - 3,265 mm
Midsized discharge belt, conveyor length	6,700 mm	6,835 mm	7,500 mm
Midsized discharge belt, discharge height	2,300 - 3,300 mm	2,510 - 3,850 mm	2,680 - 3,970 mm
Oversize discharge belt, conveyor length	6,700 mm	6,835 mm	7,500 mm
Oversize discharge belt, discharge height	2,300 - 3,300 mm	2,510 - 3,850 mm	2,680 - 3,970 mm
Transport dimensions (LxWxH)	7,530 x 2,200 x 2,840 mm	7,640 x 2,480 x 2,270 mm	8,220 x 2,400 x 2,610 mm
Transport weight	4 t (4,7 t)	6.3 t	7 t
Transport system	by hook-lift	by hook-lift	by hook-lift
Options	second screen deck with additional conveyor belt for oversized material (throughput up to 100 t/h, total weight 4.7 t)	-	-

WORKING DIMENSIONS

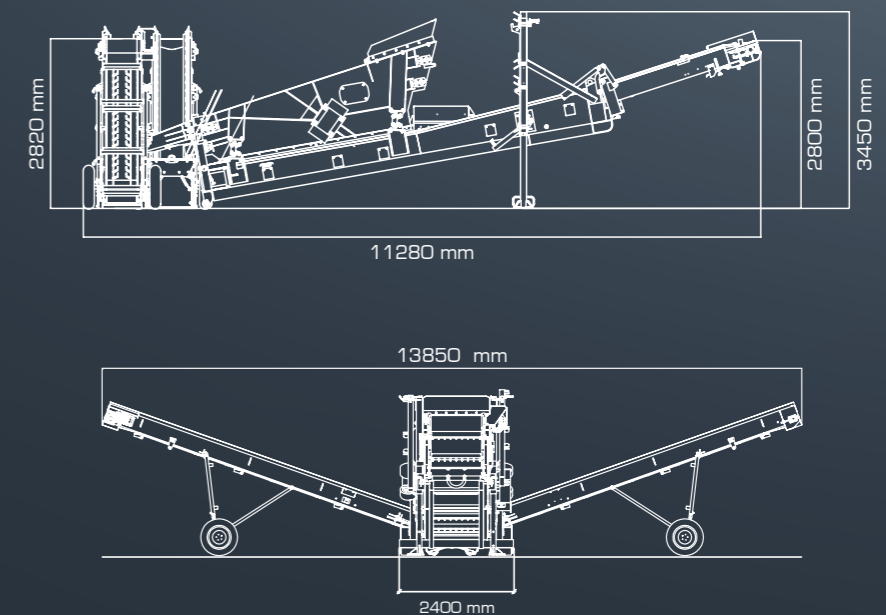
RM CS2500



RM CS3600



RM CS4800



Dimensions in mm. Specifications subject to change in line with technical developments. The machine complies with Guideline 2006/42/EC of the European Parliament.