

HIGHLIGHTS: RM HS SERIES

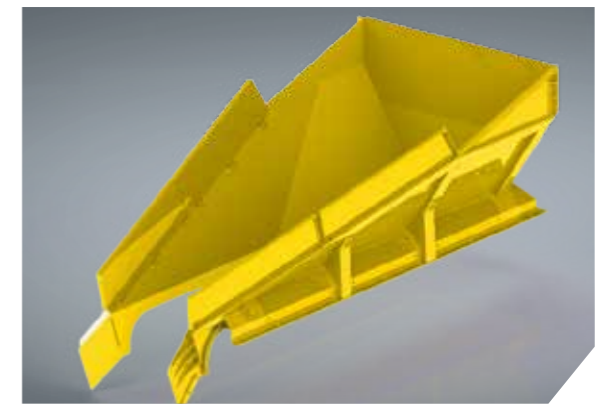
SCALPERS – COARSE MATERIAL SCREENING EQUIPMENT MORE OPPORTUNITIES

The screens in the SCALPER series are durable, robust, high performance machines designed to handle the heaviest applications in the harshest conditions. Whether it's heavy rock or bulky construction and demolition material, thanks to their versatility and high throughput the SCALPER series screens minimise material handling and deliver high quality end products.



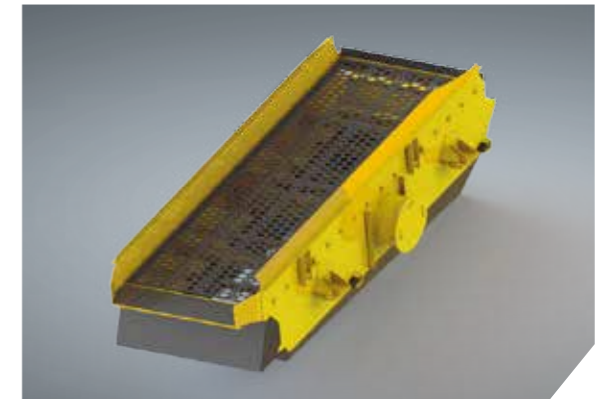
Wide access engine compartment doors

Provide perfect access for service and maintenance of engine and hydraulics.



Feed hopper

Large feed hopper with a heavy duty multi-ply belt as standard. The speed of the belt feeder is adjustable to ensure smooth material flow onto the screenbox.



Screen decks

Multitude of combinations and configurations for top and bottom decks including e.g. punch plate, bofor screen, finger deck, square and elongated meshes – one scalper for different applications.



Hardox apron

Optional – robust construction allowing for use in difficult and heavy duty materials.



Wide chutes and discharge belts

Ensure optimum material flow and longer belt life with adjustable belt speeds.



High power screenbox

Features adjustable screenbox angle (except RM HS3500M) with an amplitude of up to 10 mm achieves highly accurate material split with exceptional throughput performance even when screening the most difficult materials.



Medium and fine material belts

Adjustable speed, as well as over the top folding for optimized transport dimensions.

DATA

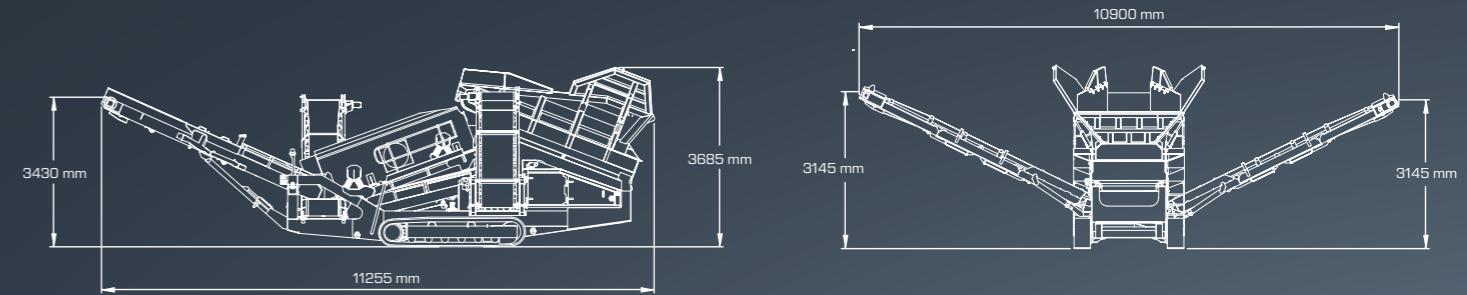
SCALPER SERIES - COARSE MATERIAL SCREENING EQUIPMENT

WORKING DIMENSIONS

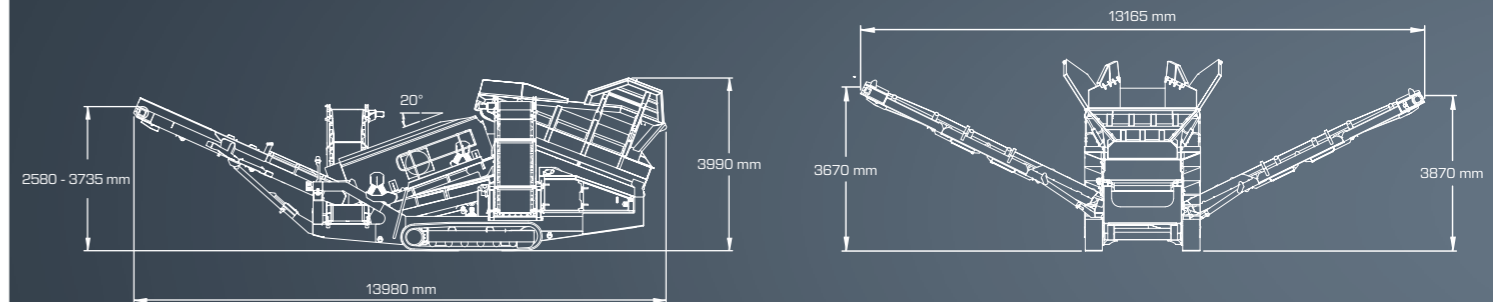
	RM HS3500M	RM HS5000M	RM HS7500M	RM HS11000M
Screenbox, screen surface	2,743 x 1,220 mm	3,660 x 1,420 mm	4,880 x 1,525 mm	6,100 x 1,830 mm
Screenbox angle	14°	15° - 20°	15° - 20°	13° - 17°
Feed hopper, volume	5 m ³	6 m ³	8.7 m ³	8.7 m ³
Feed hopper, belt width	1,050 mm	1,300 mm	1,400 mm	1,400 mm
Oversize material discharge belt, belt width	1,050 mm	1,200 mm	1,600 mm	1,600 mm
Oversize material discharge belt, discharge height	3,430 mm	2,580 - 3,735 mm	2,980 - 3,750 mm	2,700 - 3,900 mm
Midsized discharge belt, belt width	650 mm	800 mm	900 mm	1,000 mm
Midsized discharge belt, discharge height	3,145 mm	3,670 mm	3,780 mm	3,100 mm
Fines discharge belt, belt width	650 mm	800 mm	900 mm	1,050 mm
Fines discharge belt, discharge height	3,145 mm	3,870 mm	4,080 mm	3,700 mm
Transport dimensions (LxWxH)	9,880 x 2,550 x 3,190 mm	13,440 x 2,730 x 3,200 mm	15,005 x 2,920 x 3,430 mm	16,345 x 3,000 x 3,550 mm
Weight, basic machine	16,500 kg	24,500 kg	33,000 kg	39,000 kg



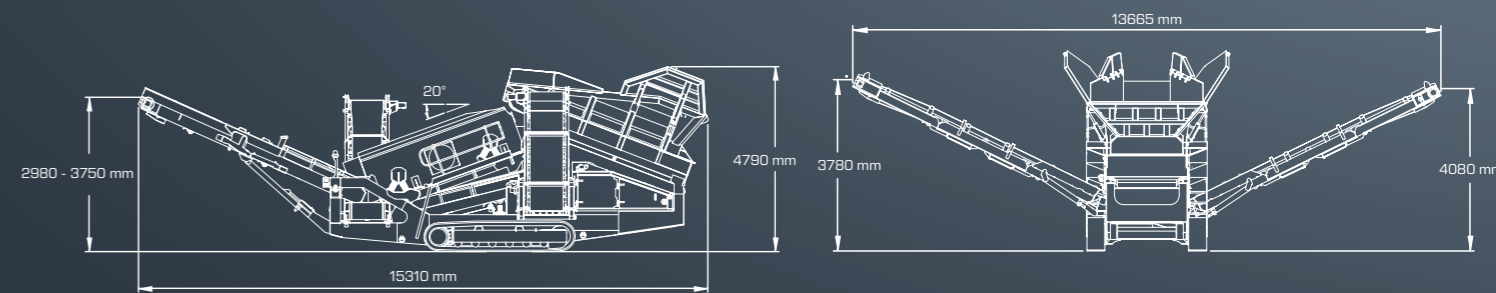
RM HS3500M



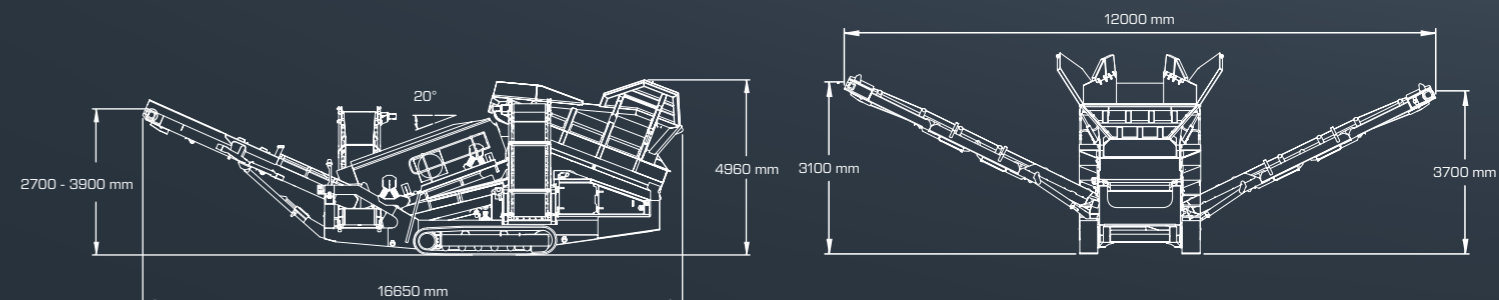
RM HS5000M



RM HS7500M



RM HS11000M



Dimensions in m. Specifications subject to change in line with technical developments. Machines comply with Guideline 2006/42/EC of the European Parliament.