



Half-Lane Dual Flush Cut Cold Planer

RX-600eLR



ENGINE

RX-600eLR: Tier 4f; Cummins® QSX15 675 hp (503 kW) @ 1,900 rpm

OPERATING WEIGHT

63,927 lbs (28,997 kg)*

**1/4 tank fuel; no water*

THE DUAL FLUSH CUT RX-600eLR PROVIDES ENHANCED VERSATILITY AND EASE OF TRANSPORT



Dual Flush Cut

The RX-600eLR is a half-lane cold planer with the exemplary feature of being a dual flush cut machine. This feature provides enhanced versatility and ease of transport. The RX-600eLR drives the cutter drum with two hydraulic motors, eliminating the typical wide belt drive that commonly prevents cutting flush on the left side. The dual flush cut capability allows the operator to mill left hand shoulders, or along obstacles such as barrier walls, without working against the flow of traffic. The RX-600eLR also uses hydraulic drum indexing for easy maintenance of drum tooling.

Heavy Duty

Roadtec uses premium, high-strength steel to fabricate all of its cold planer frames. This high-grade steel provides more than twice the yield strength of standard A 36 steel. This is why Roadtec cold planers are stronger without carrying excessive weight. The premium steel provides the necessary strength at reasonable plate thicknesses. The Roadtec RX-600eLR is designed with excellent weight balance for ideal tractive effort while milling.

Dust Extraction System

The RX-600eLR is equipped with a standard dust extraction system for improved operator comfort and safety. The dust extraction system removes dust and debris from the milling operation through a hydraulic fan at the primary conveyor. The dust is ejected at the end of the secondary conveyor into the dump truck. As the dust is ejected, the material exiting the secondary conveyor belt helps to channel the fine material into the dump truck. This lowers the potential for strong wind to carry fine material back toward the milling machine.

Operator Comfort

Two full-function operator stations on a shock-absorbing platform are provided for cutting flush at right hand or left hand side with excellent visibility. Operator seats and a hydraulically folding secondary conveyor are standard features on this machine. The drum indexing feature allows the cutter drum to rotate while the engine is not running, making it easy to change drum teeth.

Guardian® Remote Telematics

The Guardian Remote Telematics system is available with the RX-600eLR. With Guardian, the machine's electrical system, hydraulic system, engine, pressure transducers, grade/slope control, and fuel consumption can be closely monitored in real-time via cellular signal. Guardian allows owners and service technicians to closely monitor the machine's activity and troubleshoot the machine's various systems. Guardian will automatically email all fault codes and maintenance reminders.



Options

Added Features

- Operator Station Canopy - Hydraulic or Manual
- Hydraulically Folding Secondary Conveyor
- Automated Lubrication System
- Additional Cameras
- 4 kW Generator Set

Cutter Systems

- Profiling or Micro-Milling Drums

ACE™ Grade & Slope Control with Auto-Cut

- Roadtec Hydro-Mechanical Grade Control with dual controls.

Additional Lighting

- Night Light Package – Four 24V high intensity discharge lights enhance visibility for nighttime work.

SPECIFICATIONS

ENGINE

- RX-600eLR: Tier 4f; Cummins® QSX15 675 hp (503 kW) @ 1,900 rpm

WEIGHTS

- 63,927lbs (28,997 kg)*

*1/4 tank fuel; no water

COOLING SYSTEM

- Dual, quiet operation fans

ELECTRICAL SYSTEM

- 24V system with onboard and remote diagnostics via Roadtec Guardian® Remote Telematics System
- Two 8D batteries & 105 amp alternator
- Emergency engine shut-down; cutter disengages and engine shuts down when rear cutter door is opened.

PROPEL SYSTEM

- Hydrostatic drive with automatic traction control.
- Hydraulically controlled suspension; manual and automatic.

SPEED

- Working: 0-100 fpm (0-30 mpm), high 0-27 fpm (0-29 mpm)
- Travel: 0-3.2 mph (0-5 kph)

BRAKE SYSTEM

- Hydrodynamic disc caliper brakes and parking brake

TRACKS

- Direct hydraulic, planetary track drive. Bolt-on, replaceable poly track pads 12" (305 mm) wide.

TURNING RADIUS

- 7' (213 cm)

OPERATOR STATIONS

- Left/right side full-function operator stations on shock-absorbing operator platform with joy stick controls

CONVEYORS

- 32" (813 mm) wide endless, heavy-duty belts with 1" (25.4 mm) tall molded rubber cleats
- Heavy-duty load-out conveyor covers and self-cleaning pulleys
- 60° load-out conveyor swing capability

STANDARD LIGHT & ELECTRICAL OUTLET

- 24V lights & 24V DC power outlets, 2 magnetic base work lights

SERVICE CAPACITIES

- Fuel Tank185 gal (700 l)
- Hydraulic Fluid Tank.....100 gal (379 l)
- Water Tank800 gal (3,028 l)

MAXIMUM CUT DEPTH

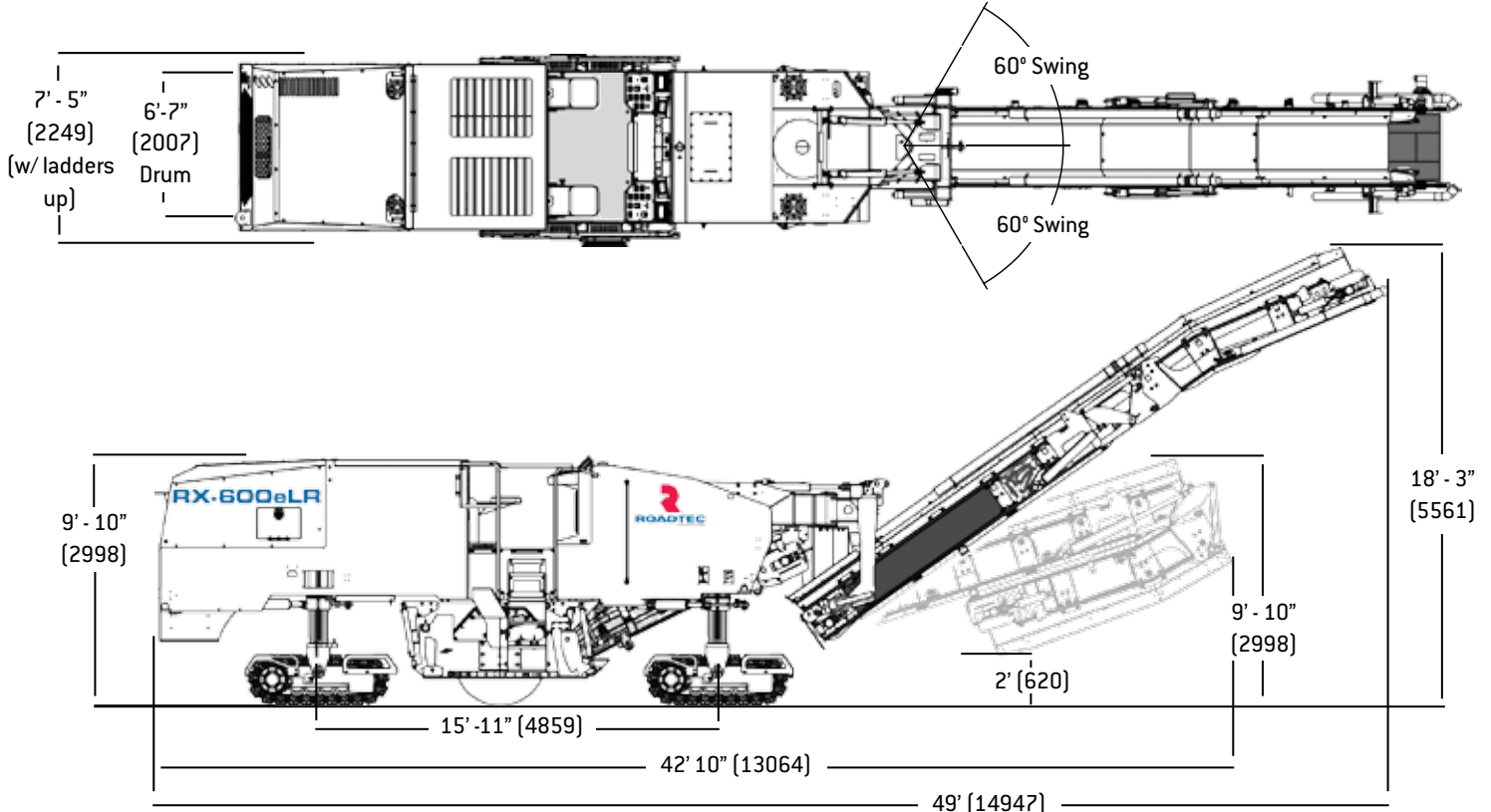
- 13" (330 mm)

CUT WIDTH

- 79" (2 m)
- 86" (2.18m)

CUTTER DRIVE

- High efficiency/high torque hydrostatic drive with dual planetary gearboxes
- Cutter gear box with mechanical fail safe to protect engine from shock loads



Dimensions in brackets are mm.

Specifications are subject to change without notice.

© 2018 Roadtec, Inc. All Rights Reserved

ROADTEC an Astec Industries Company

800 MANUFACTURERS RD • CHATTANOOGA, TN 37405 USA • 800.272.7100 • FAX 423.267.7104 • roadtec.com

