

PRODUCT  
SPECIFICATION

 **TEREX**<sup>®</sup>

 **ECOTEC**

# TWH 236

WASTE HANDLER



160 kW (Diesel, EU Stage V / US EPA Tier 4)  
148 kW (Diesel, EU Stage IIIA / US Tier 3)  
132 kW (Electric)



33.0 – 35.5 t



max. 16.0 m

Service weight without attachments		
<b>TWH 236</b>	33.0–35.5 t	
Diesel engine		
	EU Stage V / US Tier 4	EU Stage IIIA / US Tier 3*
Manufacturer / model	Deutz TCD 6.1 L6	Deutz TCD2013 L6
Design	6-cylinder in-line engine	6-cylinder in-line engine
Functionality	4-stroke engine, direct common-rail fuel injection, turbocharger with charge air intercooling, controlled exhaust gas recirculation, diesel particle filter with a continuously regenerating system and SCR catalytic converter	4-stroke engine, direct common-rail fuel injection, turbocharger with charge air intercooling
Engine power	160 kW	148 kW
Rated speed	2,000 rpm	2,000 rpm
Displacement	6.1 l	6.1 l
Cooling system	Water / charge air cooling with temperature-controlled fan speed	Water / charge air cooling with temperature-controlled fan speed
Exhaust emission standard	EU Stage V / US Tier 4	EU Stage IIIA / US Tier 3*
Fuel tank	315 l diesel	315 l diesel
DEF / Urea tank	32 l Ad Blue	-
Electric motor		
Power	132 kW	
Total connected load	170 kW	
Motor start	Via soft start	
Optional cable reel	Up to 50 metres (other lengths on request)	
Electrical system		
Alternator	28 V / 100 A	
Operating voltage	24 V	
Battery	2 × 12 V / 110 Ah / 760 A (as per EN)	
Lighting system	2 × LED floodlights at the front of the machine, rear parking lights and indicator lights	
Travel drive		
Hydrostatic drive through infinitely variable axial piston motor with directly mounted travel brake valves, 2-gear transmission, all-wheel drive		
Travel speed 1st Gear	max. 5 km/h	
Travel speed 2nd Gear	max. 17 km/h	
Gradeability	max. 35 %	
Turning radius	9.2 m	
Slewing drive		
Slewing ring	Double slewing ring with inner teeth	
Drive	2-stage planetary gear with integrated multi-disk brake	
Uppercarriage swing speed	0–7 rpm infinitely variable	
Slewing lock	Electrically operated	

Undercarriage		
Front axle	Planetary drive axle with integrated drum brake, rigidly mounted	
Rear axle	Planetary drive axles with integrated drum brake, with self-aligning bearing and switching oscillating lock	
Outriggers	4-point stabilisers	
Tyres	Elastic, solid rubber 8 × 12.00-20	
Brakes		
Service brake	Hydraulically operated single-service brake system acting on all four wheel pairs	
Parking brake	Electronically-operated disc brake on the driving transmission acting on both axles	
Hydraulic system		
Max. flow rate	2 × 330 l/min	
Max. operating pressure	320 / 360 bar	
Hydraulic oil tank	366 l	
Operator's cab		
Cab	Infinitely variable hydraulic height-adjustable cabin with sliding door. Reinforced steel structure, soundproofed, heat insulated panoramic windows for best all-round visibility, front window with roller blind, glass panel in the cabin roof with sliding blind. Heating and air conditioning, separate heat exchangers, fresh and recirculated air filters. Multifunction touch display, bottle holder, paper clip and multiple storage and mounting options. Digital radio (DAB+, USB, Bluetooth and hands-free), USB charging station 5V. Vertically adjustable cabin: viewing height of 5.6 m	
Air conditioning	Automatic air-conditioning. Infinitely variable heating with 8-speed fan, 10 adjustable air nozzles, 3 defroster nozzles	
Operator's seat	Air-cushioned comfort seat with swinging armrests / joysticks, safety belt, lumbar support and headrest. Enables fatigue-free work due to universal adjustment options for the seat position, seat inclination and the arrangement of the seat cushion in relation to the armrests and joysticks	
Monitoring	Ergonomically arranged, glare-free multifunction display. Automatic monitoring and storage of deviating operating states (e.g. all hydraulic oil filters, hydraulic oil temperature, coolant and charge air temperature, diesel particulate filter loading, steering), visual and audible warning. Diagnostic option for the individual sensors via the multifunction display. Rear view and side view camera on the right with separate monitor	
Noise level	EU Stage V / US Tier 4	EU Stage IIIA / US Tier 3*
	Sound power level (outdoor area) L <sub>WA</sub> 98.8 dB(A) (measured) as per directive 2000/14/EC L <sub>WA</sub> 101 dB(A) (guaranteed) as per directive 2000/14/EC Sound power level (inside the cab) as per the directive ISO 6396 L <sub>PA</sub> 67 dB(A)	Sound power level (outdoor area) L <sub>WA</sub> 101.3 dB(A) (measured) as per directive 2000/14/EC L <sub>WA</sub> 102 dB(A) (guaranteed) as per directive 2000/14/EC Sound power level (inside the cab) as per the directive ISO 6396 L <sub>PA</sub> 67 dB(A)
Vibrations	Weighted r.m.s. value of acceleration of upper limbs under 2.5 m/s <sup>2</sup> (98 in/s <sup>2</sup> ) Weighted effective value of acceleration for the seat and feet under 0.5 m/s <sup>2</sup> (20 in/s <sup>2</sup> )	
Certification as per CE directives		

Engine	Standard	Option
Intercooler and coolant radiator	●	
Direct electronic fuel injection / common rail	●	
Advanced automatic idle incl. engine shut-off function	●	
Engine preheating		●
Engine diagnostics interface	●	
Temperature-dependent fan drive	●	
Undercarriage		
All-wheel drive	●	
Drum brakes	●	
Rear axle oscillating lock	●	
2-speed powershift transmission		●
4-point stabilisers	●	
Dozer blade in addition to 4-point stabilisers		●
Stabiliser cylinders with integrated two-way check valves	●	
Piston rod protection on stabiliser cylinders	●	
Tool box	●	
Special paint (customer paint work)		●
Solid rubber tyres (12.00-20) with intermediate rings	●	
Uppercarriage		
Separate cooling system for engine and hydraulic oil cooler	●	
Cooling system with temperature-dependent fan drive	●	
Fan drive reversing function		●
Automatic central lubrication system	●	
Rear view camera	●	
Side view camera	●	
Electric refuelling pump		●
Lighting protection		●
Special paint (customer paint work)		●

Cab	Standard	Option
Vertically adjustable cabin (max. viewing height of 5.6 m)	●	
Single-pane safety glass (ESG)	●	
Sliding window in cab door	●	
Cabin with penetration resistant glass front and top (classification P5A)		●
Windshield washer system	●	
Roof washer system		●
Air-cushioned operator seat with headrest, seatbelt, and lumbar support	●	
Seat heating		●
Joystick steering	●	
Steering column, height and tilt adjustable		●
Automatic air conditioning system	●	
Independent heating system		●
Multi-function display	●	
Document clip	●	
Roof guard grille (FOPS)		●
Cabin front and top guard		●
12V transformer		●
Digital radio (DAB+, USB, Bluetooth and hands-free system)		●
12V socket	●	
Fire extinguisher, dry powder with holder		●
Travel alarm with rotating beacon		●
Other equipment		
Close proximity range limiter for dipper stick	●	
Coolant and hydraulic oil level monitoring system	●	
Filter system for attachments		●
Hose rupture valve for boom cylinder		●
Hose rupture valve for stick cylinder		●
Overload warning device		●
Quick coupling on dipper stick	●	
Dipper stick impact protection		●
Active cyclone prefilter (TOP AIR)		●
Hydraulic oil preheating		●
Lubrication of the grab suspension by central lubrication system	●	
Light packages LED		●
LED front headlights	●	
LED working lights cabin roof front	●	
Boom cylinder damping system (piston accumulator)		●
Fuchs Connect telematics system , incl. 5 years contract	●	

Specification subject to change without notice.

\* for low-regulated markets

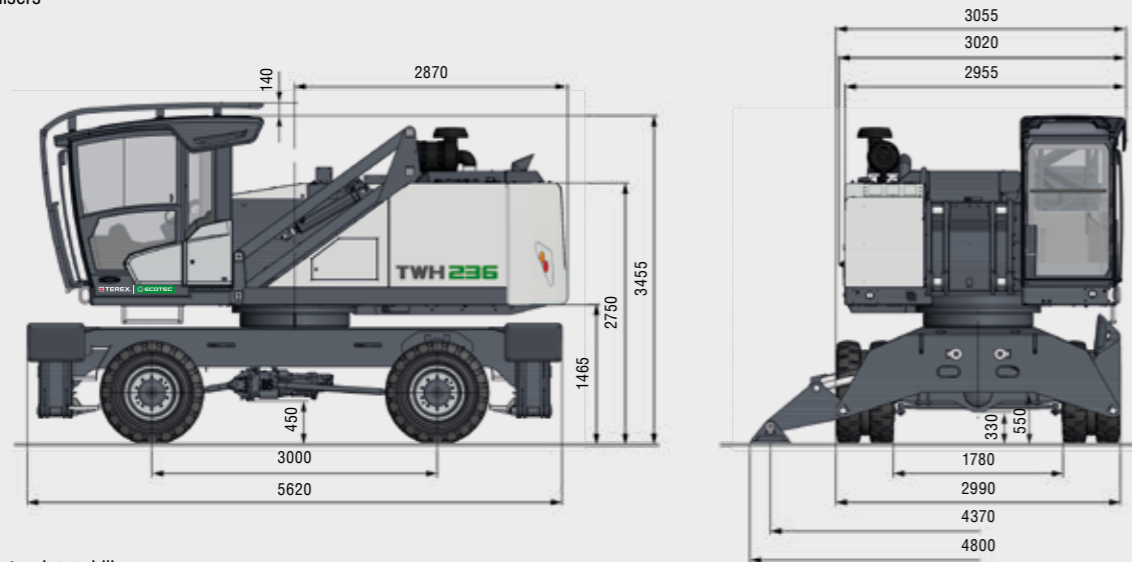
Further optional equipment available on request!

Specification subject to change without notice.

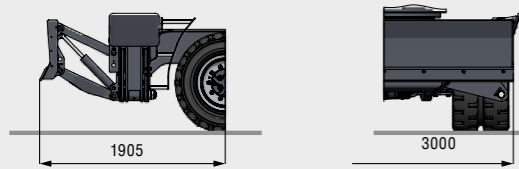
## Dimensions

(all dimensions in mm)

Undercarriage equipped with 4-point stabilisers

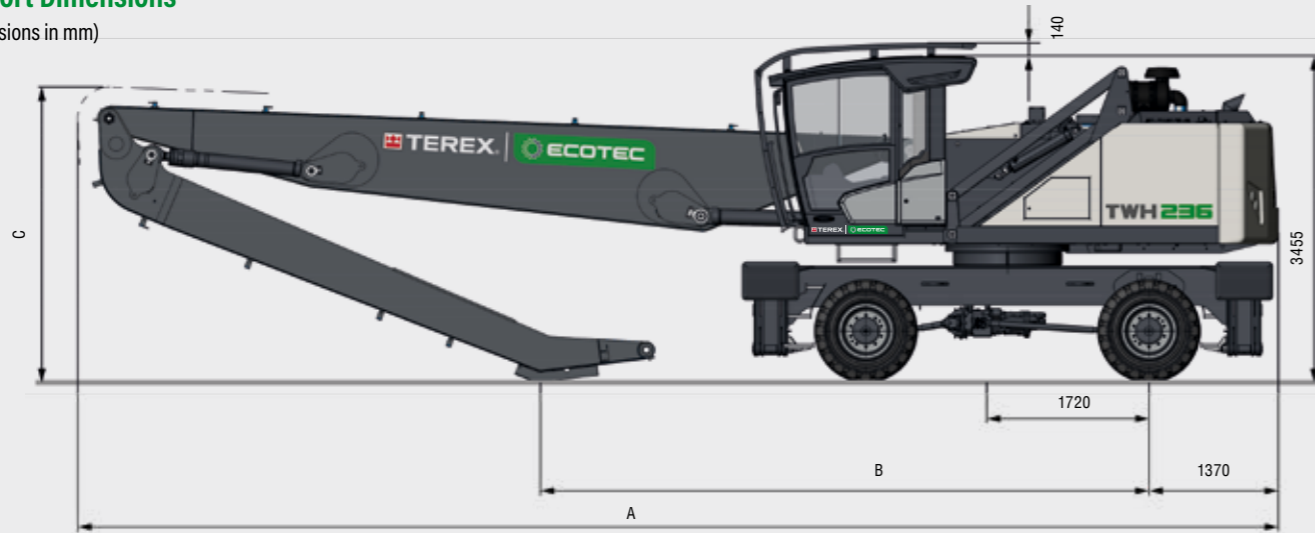


Dozer blade in addition to 4-point stabilisers



## Transport Dimensions

(all dimensions in mm)



	14.7 m	15 m	16 m
A	12610 mm	12730 mm	12695 mm
B	6380 mm	6455 mm	5960 mm
C	3040 mm	3125 mm	3620 mm

## Working Ranges and Load Capacities

TWH 236

### 14.7 m reach with multi-purpose stick

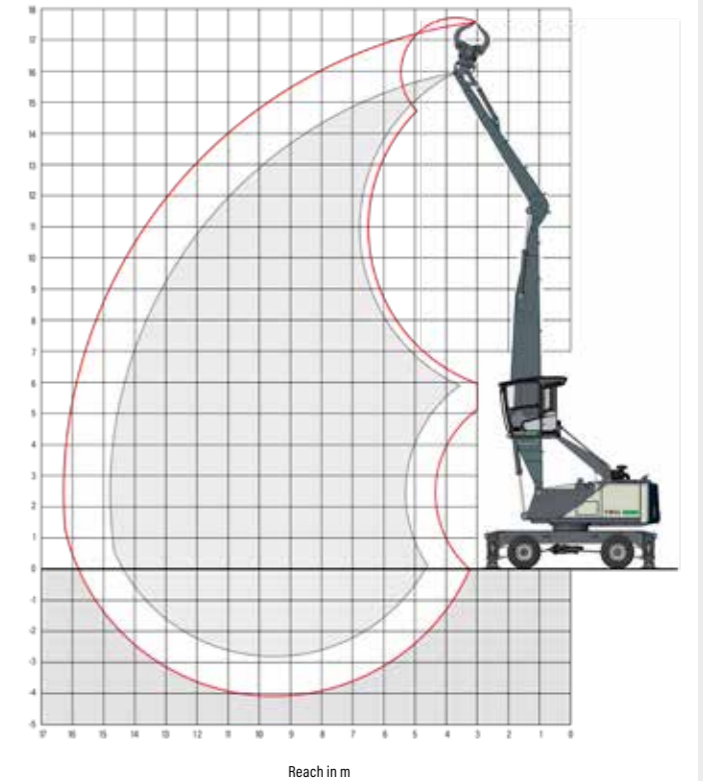
#### Loading equipment

Boom: 8.5 m

Dipper stick: 5.6 m

Sorting grapple: 0.45 m<sup>3</sup>

The lift capacity values are stated in metric tons (t). The pump pressure is 360 bar. In accordance with ISO 10567 the lift capacity values represents 75% of the static tipping loads or 87% of the hydraulic lifting force (marked \*). On solid and level ground the values apply to a swing range of 360°. The (...) values apply in the longitudinal direction of the undercarriage. The values for "not supported" only apply via the steering axle or the locked oscillating axle. The weights of the attached load hoisting equipment (grab, load hook, etc.) must be deducted from the lift capacity values. The working load of the lifting device must be observed. In accordance with the EN 474-5 for object handling application hose rupture valves on the boom and stick cylinders, an overload warning device and the lift capacity table in the cab are required. For object handling application the machine has to be supported on a level ground.



Height [m]	Undercarriage stabilisation	Reach [m]						
		4.5	6	7.5	9	10.5	12	13.5
15	not supported		(4.6°)					
	4-point supported		4.6° (4.6°)					
13.5	not supported			(5.4°)				
	4-point supported			5.4° (5.4°)				
12	not supported			(6.7°)	(5.1°)	(3.4°)		
	4-point supported			6.7° (6.7°)	5.5° (5.5°)	3.4° (3.4°)		
10.5	not supported			(7.1°)	(5.2°)	(3.9°)		
	4-point supported			7.6° (7.6°)	6.6° (6.6°)	5.4° (5.4°)	2.6° (2.6°)	
9	not supported			(7.0°)	(5.1°)	(3.9°)	(3.0°)	
	4-point supported			7.8° (7.8°)	6.7° (6.7°)	5.9° (5.9°)	4.7° (4.7°)	
7.5	not supported		(9.8°)	(6.8°)	(5.0°)	(3.8°)	(2.9°)	(2.3°)
	4-point supported		9.9° (9.9°)	8.1° (8.1°)	6.9° (6.9°)	5.9° (5.9°)	4.9° (5.2°)	3.0° (3.0°)
6	not supported	(13.7°)	(9.2°)	(6.4°)	(4.7°)	(3.6°)	(2.9°)	(2.3°)
	4-point supported	13.7° (13.7°)	10.8° (10.8°)	8.5° (8.5°)	7.1° (7.1°)	6.0° (6.1°)	4.8° (5.3°)	3.9° (4.4°)
4.5	not supported	(12.8°)	(8.3°)	(5.9°)	(4.4°)	(3.5°)	(2.8°)	(2.2°)
	4-point supported	17.1° (17.1°)	11.8° (11.8°)	9.0° (9.0°)	7.4° (7.4°)	5.8° (6.2°)	4.7° (5.3°)	3.9° (4.5°)
3	not supported		(7.4°)	(5.4°)	(4.2°)	(3.3°)	(2.6°)	(2.2°)
	4-point supported		12.5° (12.5°)	9.3° (9.4°)	7.1° (7.5°)	5.6° (6.2°)	4.6° (5.3°)	3.8° (4.4°)
1.5	not supported		(6.8°)	(5.0°)	(3.9°)	(3.1°)	(2.5°)	(2.1°)
	4-point supported		7.6° (7.6°)	8.9° (9.4°)	6.8° (7.5°)	5.4° (6.2°)	4.5° (5.1°)	3.7° (4.2°)
0	not supported		(6.1°)	(4.8°)	(3.7°)	(3.0°)	(2.5°)	(2.1°)
	4-point supported		6.1° (6.1°)	8.6° (9.0°)	6.6° (7.2°)	5.3° (5.9°)	4.4° (4.9°)	3.7° (3.9°)
-1.5	not supported		(6.2°)	(4.7°)	(3.6°)	(2.9°)	(2.4°)	
	4-point supported		6.2° (6.2°)	8.1° (8.1°)	6.5° (6.6°)	5.2° (5.4°)	4.3° (4.4°)	

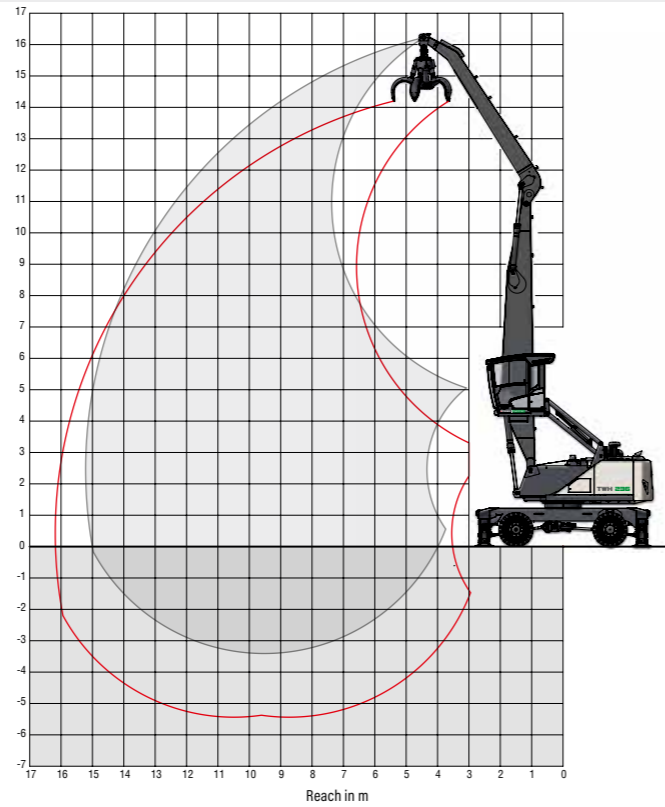
Max. reach 14.7 m

2.5	not supported							(1.8°)
	4-point supported							2.6° (2.6°)

15.0 m reach with dipper stick

Loading equipment

Boom: 8.5 m  
Dipper stick: 6.2 m  
Cactus grab: 0.6 m<sup>3</sup>



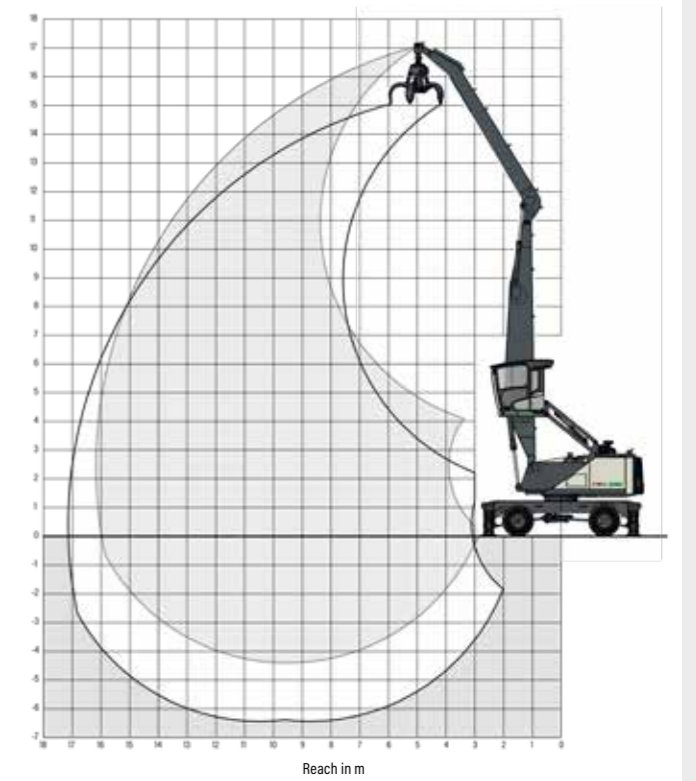
The lift capacity values are stated in metric tons (t). The pump pressure is 360 bar. In accordance with ISO 10567 the lift capacity values represents 75% of the static tipping loads or 87% of the hydraulic lifting force (marked \*). On solid and level ground the values apply to a swing range of 360°. The (...) values apply in the longitudinal direction of the undercarriage. The values for "not supported" only apply via the steering axle or the locked oscillating axle. The weights of the attached load hoisting equipment (grab, load hock, etc.) must be deducted from the lift capacity values. The working load of the lifting device must be observed. In accordance with the EN 474-5 for object handling application hose rupture valves on the boom and stick cylinders, an overload warning device and the lift capacity table in the cab are required. For object handling application the machine has to be supported on a level ground.

Height [m]	Undercarriage stabilisation	Reach [m]							
		4.5	6	7.5	9	10.5	12	13.5	15
15	not supported		(5.5°)	(3.7°)					
	4-point supported		5.5° (5.5°)	3.7° (3.7°)					
13.5	not supported			(5.7°)	(4.3°)				
	4-point supported			5.7° (5.7°)	4.3° (4.3°)				
12	not supported			(6.5°)	(5.5°)	(4.1°)			
	4-point supported			6.5° (6.5°)	5.7° (5.7°)	4.3° (4.3°)			
10.5	not supported			(7.2°)	(5.5°)	(4.2°)	(3.2°)		
	4-point supported			7.2° (7.2°)	6.6° (6.6°)	5.6° (5.6°)	3.8° (3.8°)		
9	not supported			(7.4°)	(5.4°)	(4.1°)	(3.2°)	(2.5°)	
	4-point supported			7.6° (7.6°)	6.7° (6.7°)	5.9° (5.9°)	5.1° (5.1°)	2.6° (2.6°)	
7.5	not supported			(7.1°)	(5.3°)	(4.0°)	(3.2°)	(2.5°)	
	4-point supported			8.0° (8.0°)	6.9° (6.9°)	6.0° (6.0°)	5.1° (5.3°)	4.1° (4.1°)	
6	not supported			(9.7°)	(6.7°)	(5.0°)	(3.1°)	(2.5°)	
	4-point supported			10.5° (10.5°)	8.5° (8.5°)	7.1° (7.1°)	6.2° (6.2°)	5.0° (5.4°)	4.1° (4.8°)
4.5	not supported	(13.9°)	(8.8°)	(6.3°)	(4.7°)	(3.7°)	(3.0°)	(2.4°)	(2.0°)
	4-point supported	16.3° (16.3°)	11.6° (11.6°)	9.0° (9.0°)	7.4° (7.4°)	6.1° (6.3°)	5.0° (5.5°)	4.1° (4.8°)	2.9° (2.9°)
3	not supported	(6.4°)	(7.9°)	(5.8°)	(4.4°)	(3.5°)	(2.8°)	(2.3°)	(1.9°)
	4-point supported	6.4° (6.4°)	12.5° (12.5°)	9.5° (9.5°)	7.4° (7.7°)	5.8° (6.4°)	4.8° (5.5°)	4.0° (4.7°)	3.4° (3.4°)
1.5	not supported		(7.1°)	(5.3°)	(4.1°)	(3.3°)	(2.7°)	(2.3°)	(1.9°)
	4-point supported		10.3° (10.3°)	9.2° (9.7°)	7.1° (7.8°)	5.6° (6.4°)	4.7° (5.4°)	3.9° (4.6°)	3.3° (3.3°)
0	not supported		(6.7°)	(5.0°)	(3.9°)	(3.2°)	(2.6°)	(2.2°)	(1.9°)
	4-point supported		7.0° (7.0°)	8.9° (9.5°)	6.8° (7.6°)	5.5° (6.3°)	4.5° (5.2°)	3.9° (4.3°)	3.0° (3.0°)
-1.5	not supported		(6.5°)	(4.9°)	(3.8°)	(3.1°)	(2.6°)	(2.2°)	
	4-point supported		6.5° (6.5°)	8.7° (8.7°)	6.7° (7.1°)	5.4° (5.9°)	4.5° (4.8°)	3.8° (3.8°)	
-3	not supported		(4.8°)	(3.8°)	(3.1°)				
	4-point supported		7.6° (7.6°)	6.3° (6.3°)	5.2° (5.2°)				
<b>Max. reach 15.2 m</b>									
2.5	not supported								(1.9°)
	4-point supported								2.4° (2.4°)

16.0 m reach with dipper stick

Loading equipment

Boom: 8.5 m  
Dipper stick: 7.2 m  
Cactus grab: 0.6 m<sup>3</sup>



The lift capacity values are stated in metric tons (t). The pump pressure is 360 bar. In accordance with ISO 10567 the lift capacity values represents 75% of the static tipping loads or 87% of the hydraulic lifting force (marked \*). On solid and level ground the values apply to a swing range of 360°. The (...) values apply in the longitudinal direction of the undercarriage. The values for "not supported" only apply via the steering axle or the locked oscillating axle. The weights of the attached load hoisting equipment (grab, load hock, etc.) must be deducted from the lift capacity values. The working load of the lifting device must be observed. In accordance with the EN 474-5 for object handling application hose rupture valves on the boom and stick cylinders, an overload warning device and the lift capacity table in the cab are required. For object handling application the machine has to be supported on a level ground.

Height [m]	Undercarriage stabilisation	Reach [m]							
		4.5	6	7.5	9	10.5	12	13.5	15
16.5	not supported		(4.2°)						
	4-point supported		4.2° (4.2°)						
15	not supported			(4.6°)	(3.3°)				
	4-point supported			4.6° (4.6°)	3.3° (3.3°)				
13.5	not supported				(4.7°)	(3.5°)			
	4-point supported				4.7° (4.7°)	3.5° (3.5°)			
12	not supported				(5.4°)	(4.3°)	(3.2°)		
	4-point supported				5.4° (5.4°)	4.6° (4.6°)	3.2° (3.2°)		
10.5	not supported				(5.7°)	(4.3°)	(3.4°)	(2.6°)	
	4-point supported				5.9° (5.9°)	5.3° (5.3°)	4.3° (4.3°)	2.6° (2.6°)	
9	not supported				(5.6°)	(4.3°)	(3.3°)	(2.6°)	
	4-point supported				6.2° (6.2°)	5.6° (5.6°)	5.1° (5.1°)	3.7° (3.7°)	
7.5	not supported				(7.2°)	(5.5°)	(4.2°)	(3.3°)	(2.1°)
	4-point supported				7.2° (7.2°)	6.4° (6.4°)	5.7° (5.7°)	5.1° (5.1°)	4.3° (4.5°)
6	not supported				(7.1°)	(5.2°)	(4.0°)	(3.2°)	(2.5°)
	4-point supported				7.8° (7.8°)	6.7° (6.7°)	5.9° (5.9°)	5.1° (5.2°)	4.2° (4.6°)
4.5	not supported	(10.1°)	(9.4°)	(6.6°)	(4.9°)	(3.8°)	(3.0°)	(2.4°)	(2.0°)
	4-point supported	10.1° (10.1°)	10.6° (10.6°)	8.4° (8.4°)	7.1° (7.1°)	6.1° (6.1°)	5.0° (5.3°)	4.1° (4.7°)	3.4° (4.1°)
3	not supported	(13.0°)	(8.4°)	(6.0°)	(4.6°)	(3.6°)	(2.9°)	(2.4°)	(1.9°)
	4-point supported	16.9° (16.9°)	11.7° (11.7°)	9.0° (9.0°)	7.4° (7.4°)	5.9° (6.2°)	4.8° (5.4°)	4.0° (4.7°)	3.4° (4.0°)
1.5	not supported		(5.3°)	(7.5°)	(5.5°)	(4.2°)	(3.4°)	(2.7°)	(2.3°)
	4-point supported		5.3° (5.3°)	12.5° (12.5°)	9.4° (9.4°)	7.2° (7.6°)	5.7° (6.3°)	4.7° (5.4°)	3.9° (4.6°)
0	not supported		(3.8°)	(6.9°)	(5.1°)	(4.0°)	(3.2°)	(2.6°)	(2.2°)
	4-point supported		3.8° (3.8°)	9.2° (9.2°)	8.9° (9.5°)	6.9° (7.6°)	5.5° (6.3°)	4.5° (5.3°)	3.8° (4.5°)
-1.5	not supported		(3.9°)	(6.5°)	(4.8°)	(3.8°)	(3.1°)	(2.5°)	(2.1°)
	4-point supported		3.9° (3.9°)	7.1° (7.1°)	8.7° (9.1°)	6.7° (7.3°)	5.4° (6.0°)	4.4° (5.0°)	3.8° (4.1°)
-3	not supported			(6.4°)	(4.7°)				
	4-point supported			6.8° (6.8°)	8.3° (8.3°)	6.5° (6.7°)	5.3° (5.5°)	4.4° (4.5°)	3.6° (3.6°)
<b>Max. reach 16.6 m</b>									
2.5	not supported								(1.7°)
	4-point supported								1.9° (1.9°)



### CAMPSIE

20 Keans Hill Road  
Campsie Industrial Estate  
BT47 3YT, Northern Ireland

Tel: +44 (0) 28 7122 3110

### DUNGANNON

32 Farlough Road  
Dungannon, Co. Tyrone  
BT71 4DT, Northern Ireland

Tel: +44 (0) 28 87 718 500

---

Dealer Stamp:

### NEWTON

22 Whittier Street  
Newton, New Hampshire  
USA, 03858

Tel: +1 (603) 382 0556

---

July 2021. The material in this document is for information only and is subject to change without notice. Terex Ecotec assumes no liability resulting from errors or omissions in this document, or from the use of the information contained herein. Due to continual product development we reserve the right to change specifications without notice. Any product performance figures given in this brochure are for guidance purposes only. This information does not constitute an expressed or implied warranty or guarantee, but shows text examples provided. These results will vary depending on product settings, screen media and sizes, feed source and types of material being processed. Photographs are for illustrative purposes only. Some or all of the machines in the illustrations may be fitted with optional extra. Products and services listed may be trademarks, service marks or trade names of Terex Corporation and/or its subsidiaries in the USA and other countries. All rights reserved. Terex is a registered trademark of Terex Corporation in the USA and many other countries © 2021 Terex Corporation.