



ENGINE

Make	Deutz
Emissions Certification	Tier 4 Final/Stage V
Model	TCD3.6 L4
Type	Turbocharged / Liquid-cooled
Cylinders	4
Displacement	221 in ³ (3 621 cm ³)
Horsepower @ 2000 RPM	100 hp (74.4 kW)
Max. torque @ 1600 RPM	302 lbf-ft (410 N-m)

DRIVETRAIN

Drive	Hydrodynamic
F/R travel speed range	3
Working speeds	mph (kph)
1st – max.	3.1 (5)
2nd – max.	6.8 (11)
3rd – max.	11.8 (19)
Max. travel speed	11.8 (19)
Service brake	Hydrostatic Disc
Parking	Mechanical Disc
Emergency	Mechanical Disc
Independent front axles	2
Gradeability %	25%

ELECTRICAL

Voltage	24 volts
Battery	2 x 55 Ah
Amp hour	100
Cold cranking amps	420

OPERATOR ENVIRONMENT

Operator work stations	2
Seats (vinyl/suspension)	2
Seatbelt (retractable)	3 in (76 mm)
Rearview mirrors	2 (side mounted)

OPERATING WEIGHT

Operating weight	21,380 lb (9 700 kg)
w/ cab option (add)	1,270 lb (576 kg)
Max. operating weight	52,910 lb (24 000 kg)
Max. ballast	52,910 lb (24 000 kg)
One wheel load minimum	2,566 lb (1 164 kg)
One wheel load maximum	6,614 lb (3 000 kg)
Compaction width (max.)	78.2 in (1 986 mm)

SERVICE CAPACITIES

Fuel tank	66 gal (250 L)
Engine oil	2.5 gal (9.5 L)
Hydraulic reservoir	5.8 gal (22 L)

OTHER SPECIFICATIONS

Steering:	
Steering type	Hydrostatic
Axles	4
Front axle	Isostatic w/ 2-pivot points
Rear axle	Driven 2 tire pairs w/ Diff. lock as option
Steering angle (+/-)	32°
Oscillation angle +/- (front axle)	3°
Inside turning radius:	
Left	244.1 in (6 200 mm)
Right	240.2 in (6 100 mm)
Outside turning radius:	
Left	393.7 in (10 000 mm)
Right	346.5 in (8 800 mm)
Water system:	
Water tank	103 gal (390 L)
Tank type	Polyethylene
Water feed	Pressurized
Watering pumps	1
Water filtration stages	1
Tires:	
Tire pressure	108.8 psi (0.75 MPa)
Number of tires	8
Size of tires	11 x 20"

STANDARD EQUIPMENT

OTHER

Fixed ROPS Open Platform with hand rails
Anti-vandal cover
Halogen worklights x 4 (55 watt / front and rear)
Turn signal indicator (left and right)
Breaklights
Tilt open hood
Backup alarm
Master disconnect switch
Lift and tie down provision - 4-point
Electric fuse protection
Spin-on fuel, engine oil and hydraulic filters
Brush scrapers on each tire

OPERATOR ENVIRONMENT

Retractable seat belt - 3 in (76 mm)
Dual operator stations
Suspension seats with foldable arm rests
Emergency stop button
Lockable tool box

INSTRUMENT PANEL

Steering wheel spinner knob
Horn
Hourmeter

INDICATOR LIGHTS

Battery
Engine oil pressure
Intake preheater
Engine temperature
Parking brake
Sprinkler system ON/OFF

MONITOR DISPLAY PANEL

Engine RPM
Engine hours
Fuel rate
System voltage
% engine load at current RPM
Coolant temperature
Oil pressure
Fuel economy
Current fuel consumption

WATER SYSTEM

Pressurized water system
Water filtration - single stage
Watering system drains

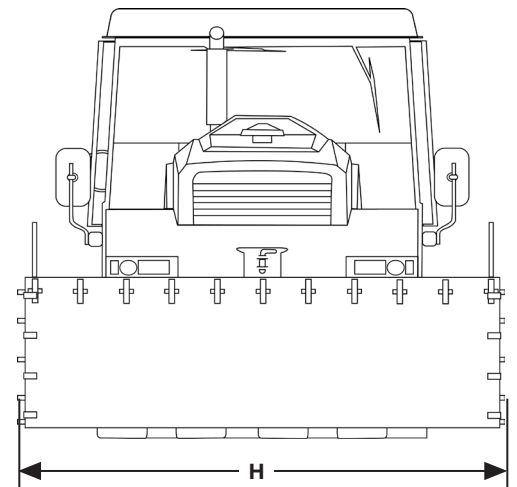
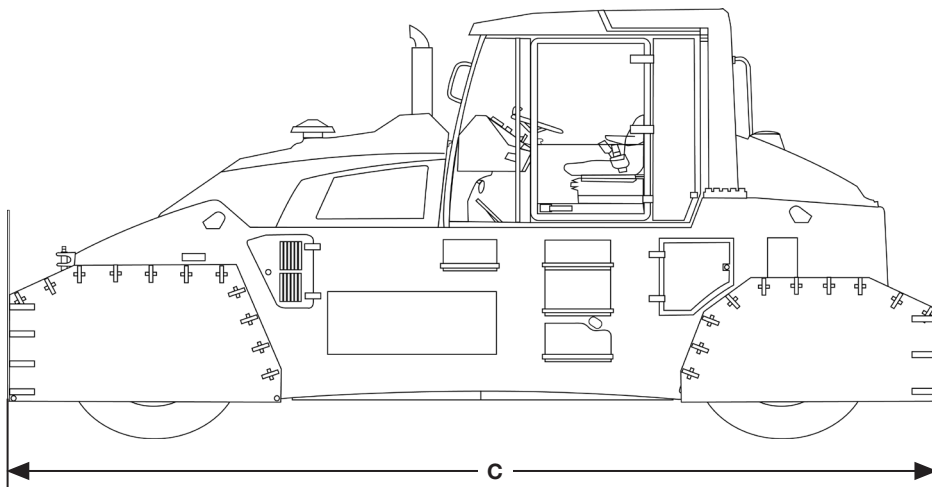
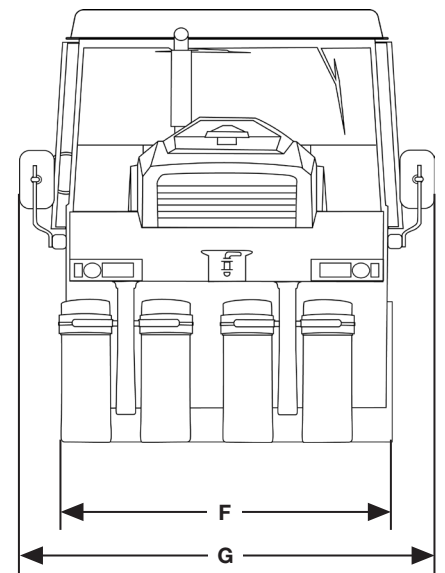
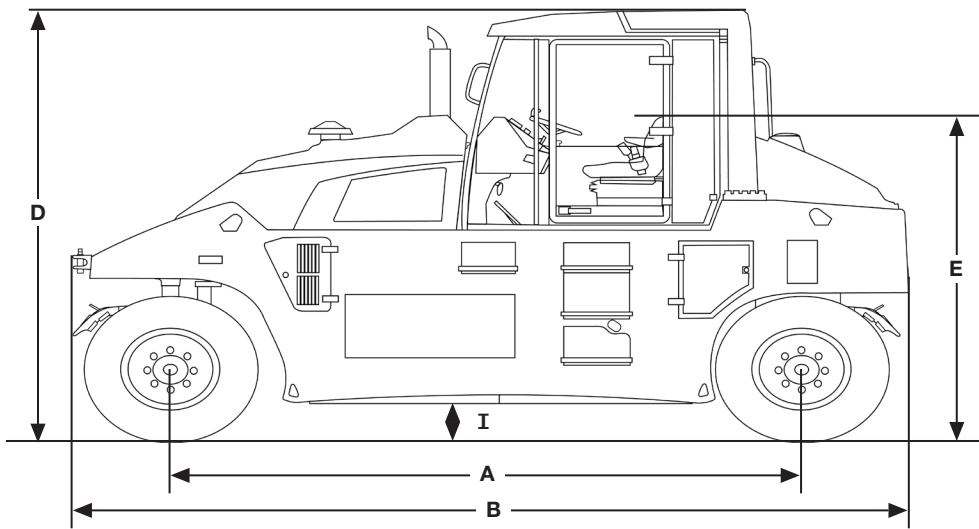
TELEMATICS

CASE Sitewatch Telematics - includes hardware and 5-yr advanced data subscription

OPTIONAL EQUIPMENT

OTHER

Cab w/ heat
Cab air-conditioning
Radio mounting w/ 2 speakers and antenna
Cocoa mat scrapers
Thermal aprons
Scrap metal for ballast
Tilttable scrapers (spring applied)
Rotating beacon
Air precleaner
Spare tire with rim
Radial tires
Water tight chassis ballast compartment
460 liters - 122 gallons
Edge cutter
Spare Rim, no tire
Differential lock (rear only)



Line drawings are for illustrative purpose only and may not be exact representation of unit.

DIMENSIONS

A. Wheelbase	148.8 in (3 780 mm)
B. Overall length	198.0 in (5 030 mm)
C. Overall length w/ thermal aprons	227.6 in (5 780 mm)
D. Overall height	123.2 in (3 130 mm)
E. Seat height	93.7 in (2 380 mm)
F. Compaction width	78.2 in (1 986 mm)
G. Overall width of fixed parts	82.7 in (2 100 mm)
H. Overall width of fixed parts w/ thermal aprons	90.9 in (2 310 mm)
I. Ground clearance	11 in (280 mm)
Ground clearance w/ ballast plate under machine	9.8 in (250 mm)

CaseCE.com

©2023 CNH Industrial America LLC. All rights reserved. CASE is a trademark registered in the United States and many other countries, owned by or licensed to CNH Industrial N.V., its subsidiaries or affiliates. CNH Industrial Capital is a trademark in the United States and many other countries, owned by or licensed to CNH Industrial N.V., its subsidiaries or affiliates. Printed in U.S.A. Contains 10% post-consumer fiber.

IMPORTANT: CASE Construction Equipment Inc. reserves the right to change these specifications without notice and without incurring any obligation relating to such change. Availability of some models and equipment builds vary according to the country in which the equipment is used. The illustrations and text may include optional equipment and accessories and may not include all standard equipment. Your CASE dealer/distributor will be able to give you details of the products and their specifications available in your area.



CASE Construction Equipment is biodiesel-friendly. NOTE: All engines meet current EPA emissions regulations. All specifications are stated in accordance with SAE Standards or Recommended Practices, where applicable.



Always read the Operator's Manual before operating any equipment. Inspect equipment before using it, and be sure it is operating properly. Follow the product safety signs and use any safety features provided.

Form No. CCE202309PT240D
Replaces Form No. CCE202001PT240D

PT240D

2 of 2