



ENGINE

Model	Perkins 404J-E22T
Emissions Certification	Tier 4 Final
Fuel	Diesel
Cylinders	4
Displacement	135.2 in ³ (2 216 cc)
Fuel injection	Electronic common rail
Gross horsepower – ISO 14396 @ 2200 RPM:	58.7 hp (43.8 kW)
Maximum Engine Torque @ 1600 RPM:	163.7 lb ft (222 Nm)
Cooling	Liquid
Cooling Fan:	Variable Speed Hydraulic cooling fan w/ reverse function

DRIVETRAIN

Travel speeds – 2-speed travel w/ auto-shift:	
1st	1.6 mph (2.6 kph)
2nd	2.8 mph (4.5 kph)
Maximum traction force	12,184 lbf (54.2 kN)
Gradeability	30° (60%)
Ground pressure	4.0 psi (0.28 kgf/cm ²)

ELECTRICAL

Voltage	12 Volts
Alternator rating	85 amp
Battery	1 x 12 V x 95 Ah

OPERATOR ENVIRONMENT

ROPS/FOPS Enclosed Cab: Overhead opening front window, Sliding right side window, Heat & A/C – automatic climate control w/ 6 adjustable vents, Radio & Speakers, Adjustable Cloth mechanical suspension seat w/ automatic weight control, Front wiper and washer, Hammer for emergency exit, Rear view mirrors – left and right; Tipping cab/canopy for servicing; Height adjustable arm rests; Controls cut-out lever (safety lever); Auto-idle/manual idle button; Engine rpm hand dial; 2 in (51 mm) Seat belt; Bottle/cup holder; Keyed locks common w/ starting key; Foot rests; 2- 12V auxiliary socket; USB type power socket 7 in LCD Control Panel; Display Navigation console.

Controls:

Travel Levers; Foldable travel foot pedals; Pilot controlled joysticks for boom, arm, bucket, and swing; Operation joysticks; Blade control lever.

Display includes:

Coolant Temp; Hydraulic Oil Temp; Fuel Level; Machine hours; Time; Climate Control; Engine; RPM; Warning Indicators; Message area; DPF Regeneration request; Function Indicators.

OPERATING WEIGHT

Operating weight:

Short arm	10,912 lb (4 950 kg)
Long arm w/ additional counterweight	11,574 lb (5 250 kg)

Counterweights:

Standard	110 lb (50 kg)
Additional	617 lb (280 kg)
Additional (heavy)	925 lb (420 kg)

NOTE: w/rubber tracks/no quick coupler/bucket/fluids/full of fuel/165 lb operator.

SERVICE CAPACITIES

Fuel tank	19.8 gal (75 L)
Hydraulic tank:	
Refill capacity	17.2 gal (65 L)
Total system	22.5 gal (85 L)
Cooling system	2.9 gal (11 L)
Engine oil	2.5 gal (9.5 L)

HYDRAULICS

Closed center load sensing “Flow Sharing” system

Pump type 1 Electronic control Load Sensing pump w/ variable flow rate + 1 gear pump

Pump displacement 4.0 + 0.9 in³ (65 + 14.5 cc)

Total flow rate 34.1 + 7.6 gpm (129 + 28.8 L/min)

Operating Pressures:

Boom, bucket, blade, travel motors:	4,061 psi (280 bar)
Slewing Motor	2,828 psi (195 bar)
Pilot controls	493 psi (34 bar)

Auxiliary flow:

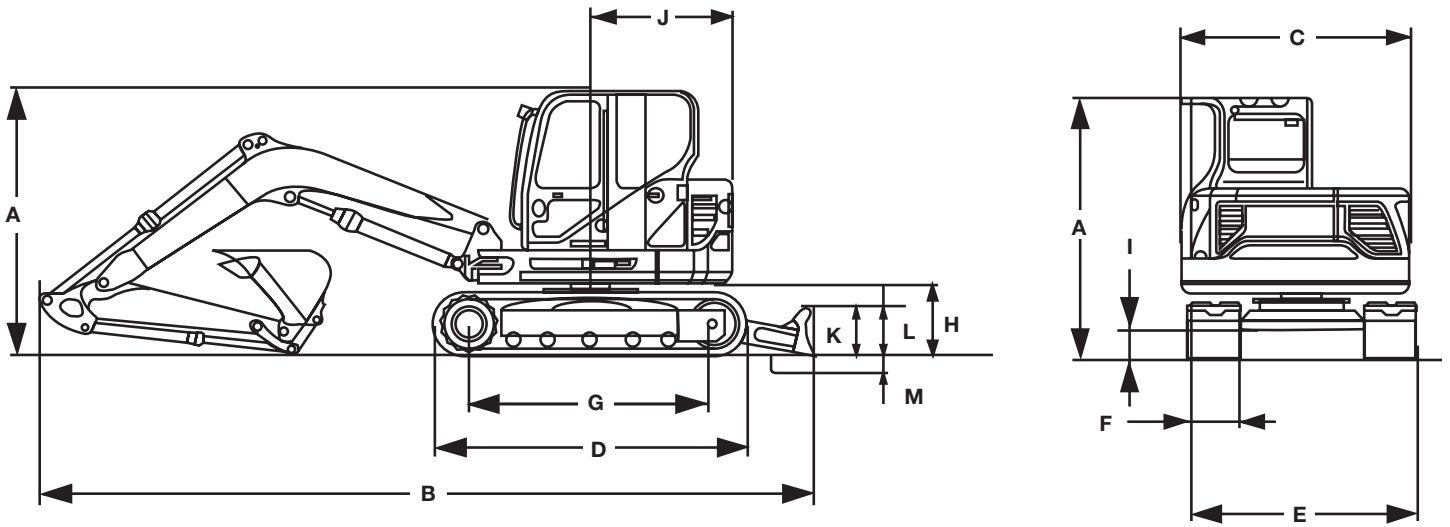
Aux. 1 – 1 or 2-way circuit:	
Max. Flow	18.5 gpm (70 L/min)
Max. Pressure	2,900 psi (200 bar)
Aux. 2 – 2-way circuit:	
Max. Flow	10.6 gpm (40 L/min)
Max. Pressure	4,061 psi (280 bar)
Aux. 3 – 2-way circuit:	
Max. Flow	10.6 gpm (40 L/min)
Max. Pressure	4,061 psi (280 bar)

Swing Motor: Fixed displacement axial piston motor - spring applied/hydraulic release brake

Travel Motor: Variable displacement axial piston motor - auto-shift down to high torque gear - spring applied/hydraulic release parking brake

OTHER SPECIFICATIONS

Swing speed	10.5 RPM
Rubber tracks dimensions	15.7 x 2.9 x 2.8 in (400 x 72.5 x 72 mm)
Undercarriage:	
Track rollers	1 upper/5 lower each
Boom:	
Swing	71° left/56° right
Length	8 ft 8 in (2.65 m)
Arm:	
Standard length	4 ft 11 in (1.5 m)
Long arm length	5 ft 9 in (1.75 m)
Sound Pressure Internal – ISO6396 – LpA	74 dBA
Sound Power External – LwA	98 dBA
Vibrations ISO 2631 – hand	0.94 m/s ²
Vibrations ISO 2631 – whole body	0.42 m/s ²



Line drawings are for illustrative purpose only and may not be exact representation of unit.

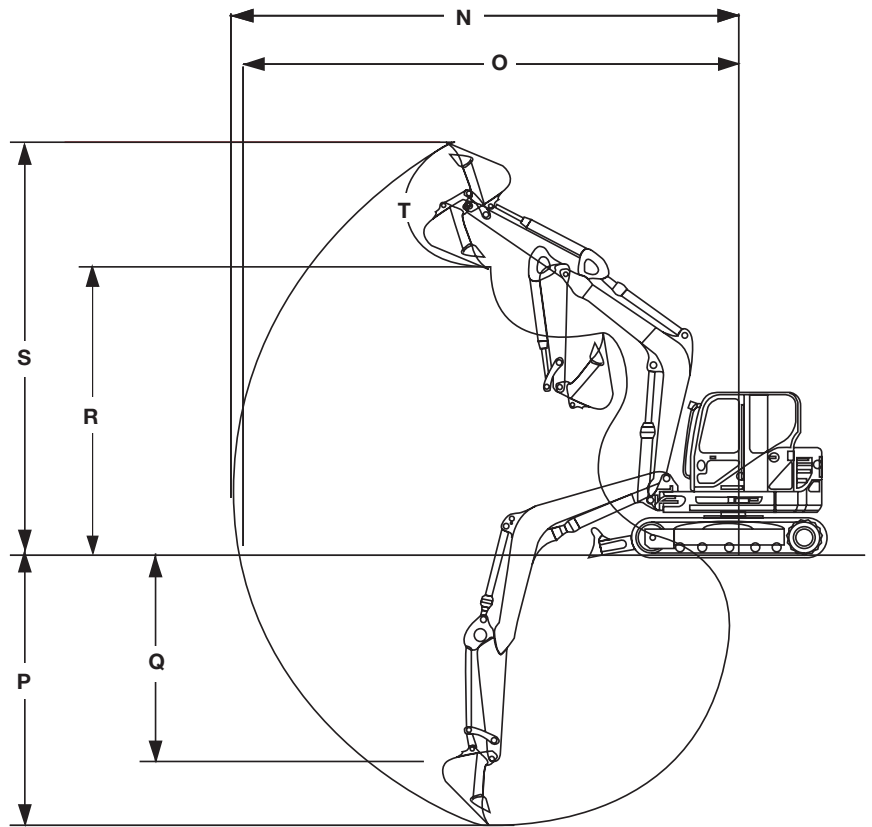
DIMENSIONS

4 ft 11 in (1.5 m) Arm

A. Overall height	8 ft 5 in (2 570 mm)
B. Overall transport length	18 ft 4 in (5 580 mm)
C. Width of upper structure	6 ft 1 in (1 865 mm)
D. Track overall length	8 ft 1 in (2 460 mm)
E. Track overall width	6 ft 3 in (1 900 mm)
F. Track shoe width	1 ft 4 in (400 mm)
G. Center to center – idler to sprocket	6 ft 4 in (1 920 mm)
H. Upper structure ground clearance	2 ft 0 in (610 mm)
I. Minimum ground clearance	11 in (290 mm)
J. Tail swing radius:	
Standard counterweight	3 ft 1 in (950 mm)
Additional counterweight	3 ft 5 in (1 040 mm)
Additional counterweight – heavy	3 ft 7 in (1 090 mm)
Boom swing	71° left/56° right
Tail swing overhang:	
Standard counterweight	0 in (0 mm)
Additional counterweight	7 in (180 mm)
Additional counterweight – heavy	11 in (280 mm)

BLADE SPECS

K. Backfill blade height	1 ft 6 in (470 mm)
L. Backfill blade rise above ground	1 ft 3 in (390 mm)
M. Backfill blade dig depth	1 ft 7 in (475 mm)
Backfill blade width	6 ft 3 in (1 900 mm)



PERFORMANCE SPECS

4 ft 11 in (1.5 m) Arm

5 ft 9 in (1.75 m) Arm

N. Maximum dig radius	18 ft 6 in (5 630 mm)	19 ft 3 in (5 870 mm)
O. Dig radius at groundline	18 ft 1 in (5 500 mm)	18 ft 10 in (5 750 mm)
P. Maximum dig depth	10 ft 11 in (3 330 mm)	11 ft 9 in (3 580 mm)
Q. Vertical straight wall dig depth	8 ft 3 in (2 520 mm)	9 ft 1 in (2 760 mm)
R. Dump height	12 ft 10 in (3 920 mm)	13 ft 5 in (4 080 mm)
S. Overall reach height	17 ft 3 in (5 260 mm)	17 ft 9 in (5 420 mm)
T. Bucket rotation	195°	195°
Arm digging force – ISO	5,283 lbf (2 350 daN)	4,765.9 lbf (2 120 daN)
Bucket digging force – ISO	9,666.8 lbf (4 300 daN)	9,666.8 lbf (4 300 daN)

LIFT CAPACITIES

8 ft 8 in (2.65 m) Boom, 4 ft 11 in (1.5 m) Arm, Dozer Blade Down Machine equipped with cab, rubber tracks, standard counterweight, without bucket or quick coupler.

Load/Lift Point Height	LOAD RADIUS								MAXIMUM REACH			
	3 ft (1.0 m)		7 ft (2.0 m)		10 ft (3.0 m)		13 ft (4.0 m)		REACH	CAPACITY		
	END	SIDE	END	SIDE	END	SIDE	END	SIDE		@	END	SIDE
+13 ft (4.0 m)										12 ft 1 in (3.68 m)	2,138 lb* (970 kg)*	1,676 lb (760 kg)
+10 ft (3.0 m)							2,050 lb* (930 kg)*	1,477 lb (670 kg)		13 ft 11 in (4.25 m)	2,293 lb* (1 040 kg)*	1,301 lb (590 kg)
+7 ft (2.0 m)					2,844 lb* (1 290 kg)*	2,205 lb (1 000 kg)	2,337 lb* (1 060 kg)*	1,433 lb (650 kg)		15 ft 9 in (4.80 m)	2,271 lb* (1 030 kg)*	1,058 lb (480 kg)
+3 ft (1.0 m)					4,034 lb* (1 830 kg)*	2,050 lb (930 kg)	2,822 lb* (1 280 kg)*	1,367 lb (620 kg)		16 ft 1 in (4.89 m)	2,403 lb* (1 090 kg)*	1,014 lb (460 kg)
Groundline			8,841 lb* (4 010 kg)*	3,571 lb (1 620 kg)	4,652 lb* (2 110 kg)*	1,940 lb (880 kg)	3,109 lb* (1 410 kg)*	1,301 lb (590 kg)		15 ft 6 in (4.73 m)	2,535 lb* (1 150 kg)*	1,036 lb (470 kg)
-3 ft (-1.0 m)		19,533 lb (8 860 kg)	8,025 lb* (3 640 kg)*	3,616 lb (1 640 kg)	4,586 lb* (2 080 kg)*	1,918 lb (870 kg)	3,064 lb* (1 390 kg)*	1,301 lb (590 kg)		14 ft 1 in (4.28 m)	2,712 lb* (1 230 kg)*	1,190 lb (540 kg)
-7 ft (-2.0 m)			6,129 lb* (2 780 kg)*	3,726 lb (1 690 kg)	3,638 lb* (1 650 kg)*	1,984 lb (900 kg)				11 ft 1 in (3.39 m)	2,910 lb* (1 320 kg)*	1,698 lb (770 kg)

NOTE: Lifting capacity are based on ISO 10567.

Lifting capacity does not exceed 75% of tipping load with the machine on firm, level ground or 87% of full hydraulic capacity.

Back of the arm linkage.

*Indicates load limited by hydraulic capacity.

For lift capacities with additional counterweights please see operators manual.

8 ft 8 in (2.65 m) Boom, 5 ft 9 in (1.75 m) Arm, Dozer Blade Down Machine equipped with cab, rubber tracks, standard counterweight, without bucket or quick coupler.

Load/Lift Point Height	LOAD RADIUS										MAXIMUM REACH			
	3 ft (1.0 m)		7 ft (2.0 m)		10 ft (3.0 m)		13 ft (4.0 m)		16 ft (5.0 m)		REACH	CAPACITY		
	END	SIDE	END	SIDE	END	SIDE	END	SIDE	END	SIDE		@	END	SIDE
+13 ft (4.0 m)												13 ft 1 in (4 m)	1,962 lb* (890 kg)*	1,477 lb (670 kg)
+10 ft (3.0 m)							1,808 lb* (820 kg)*	1,477 lb (670 kg)				15 ft 5 in (4.69 m)	2,006 lb* (910 kg)*	1,124 lb (510 kg)
+7 ft (2.0 m)					2,447 lb* (1 110 kg)*	2,227 lb* (1 010 kg)*	2,138 lb* (970 kg)*	1,433 lb (650 kg)	2,072 lb* (940 kg)*	992 lb (450 kg)		16 ft 6 in (5.03 m)	2,094 lb* (950 kg)*	992 lb (450 kg)
+3 ft (1.0 m)					3,726 lb* (1 690 kg)*	2,050 lb (930 kg)	2,646 lb* (1 200 kg)*	1,367 lb (620 kg)	2,249 lb* (1 020 kg)*	970 lb (440 kg)		16 ft 10 in (5.12 m)	2,227 lb* (1 010 kg)*	948 lb (430 kg)
Groundline			9,017 lb* (4 090 kg)*	3,527 lb (1 600 kg)	4,519 lb* (2 050 kg)*	1,918 lb (870 kg)	3,020 lb* (1 370 kg)*	1,301 lb (590 kg)				16 ft 4 in (4.97 m)	2,359 lb* (1 070 kg)*	948 lb (430 kg)
-3 ft (-1.0 m)		19,114 lb (8 670 kg)	8,466 lb* (3 840 kg)*	3,549 lb (1 610 kg)	4,630 lb* (2 100 kg)*	1,896 lb (860 kg)	3,109 lb* (1 410 kg)*	1,279 lb (580 kg)				14 ft 11 in (4.55 m)	2,535 lb* (1 150 kg)*	1,080 lb (490 kg)
-7 ft (-2.0 m)		19,445 lb (8 820 kg)	6,923 lb* (3 140 kg)*	3,638 lb (1 650 kg)	3,946 lb* (1 790 kg)*	1,940 lb (880 kg)						12 ft 4 in (3.75 m)	2,712 lb* (1 230 kg)*	1,433 lb (650 kg)

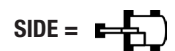
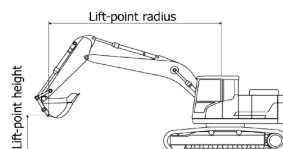
NOTE: Lifting capacity are based on ISO 10567.

Lifting capacity does not exceed 75% of tipping load with the machine on firm, level ground or 87% of full hydraulic capacity.

Back of the arm linkage.

*Indicates load limited by hydraulic capacity.

For lift capacities with additional counterweights please see operators manual.



STANDARD EQUIPMENT

ENGINE

Perkins 404J
Glow Plugs for cold weather starting
Dry air filter with clogged filter warning on control panel
Variable Speed Hydraulic cooling fan with reverse function.

ELECTRICAL

12-volt electrical system
Heavy-duty battery
Battery disconnect switch
Auxiliary Power Socket (left console, right-hand upright)
USB type A power socket
Key Start Switch
Auxiliary Power socket on roof for beacon
Auto-idle feature with on/off switch
Horn
Pre-wired – Telematics ready

OPTIONAL EQUIPMENT

OPERATOR ENVIRONMENT

Fabric Pneumatic Seat with automatic weight control (cab only)
Travel Alarm

TRACK OPTIONS

Tracks:
Steel Tracks

HYDRAULICS

Standard 1st auxiliary hydraulics. 1 or 2 way operation. Set in control panel.
2nd auxiliary hydraulics - 2-way
Large hydraulic oil cooler
Control pattern selector valve
Cylinder guard on boom and dozer blade cylinder

TRACK DRIVE

Rubber belt tracks
2-speed travel (turtle & rabbit) with auto-shift
Fully hydrostatic drive system
Sealed and lubricated track rollers
Track Tensioner Hydraulic adjustment with grease

LIGHTING

LED light under boom
LED strip lights on right hand side engine cover
Courtesy Light with 3 settings:
Always on
Always off
Automatic when door is open (cab only)

VISIBILITY

Rear view camera
LED lights on top of cab/canopy, front and rear
Beacon

HYDRAULICS

2nd auxiliary hydraulics
3rd auxiliary hydraulics
Direct drain to tank
Safety valves on boom and arm
Mulcher hydraulics package
Bio hydraulic oil

UPPER STRUCTURE

Zero Tail Swing (with standard counterweight)
Standard arm: 4 ft 11 in (1.5 m)
Linkage with lifting hook
Thumb bracket
Backfill blade with float

OPERATOR ENVIRONMENT

See page 1

OTHER

Swing boom – 71° left / 56° right

WARRANTY

Base warranty coverage: 2-Year/3,000-Hour
Full Machine Limited Warranty

OTHER

6-way backfill blade
Additional counterweight adds: 617 lb (280 kg)
Additional counterweight - heavy:
926 lb (420 kg)
Optional long arm: 5 ft 9 in (1.75 m)

ATTACHMENTS

Mechanical coupler
Hydraulic coupler
Digging buckets
Thumb

CaseCE.com

©2023 CNH Industrial America LLC. All rights reserved. CASE is a trademark registered in the United States and many other countries, owned by or licensed to CNH Industrial N.V., its subsidiaries or affiliates. CNH Industrial Capital is a trademark in the United States and many other countries, owned by or licensed to CNH Industrial N.V., its subsidiaries or affiliates. Printed in U.S.A. Contains 10% post-consumer fiber.

IMPORTANT: CASE Construction Equipment Inc. reserves the right to change these specifications without notice and without incurring any obligation relating to such change. Availability of some models and equipment builds vary according to the country in which the equipment is used. The illustrations and text may include optional equipment and accessories and may not include all standard equipment. Your CASE dealer/distributor will be able to give you details of the products and their specifications available in your area.



CASE Construction Equipment is biodiesel-friendly. NOTE: All engines meet current EPA emissions regulations. All specifications are stated in accordance with SAE Standards or Recommended Practices, where applicable.



Always read the Operator's Manual before operating any equipment. Inspect equipment before using it, and be sure it is operating properly. Follow the product safety signs and use any safety features provided.

Form No. CCE202307CX50D

CX50D

4 of 4